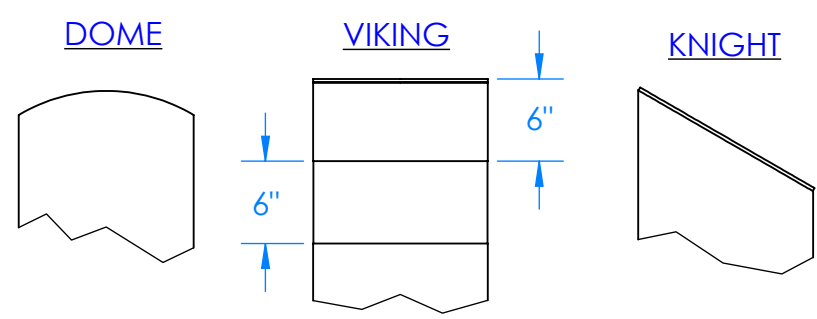


PLAN - VIEW

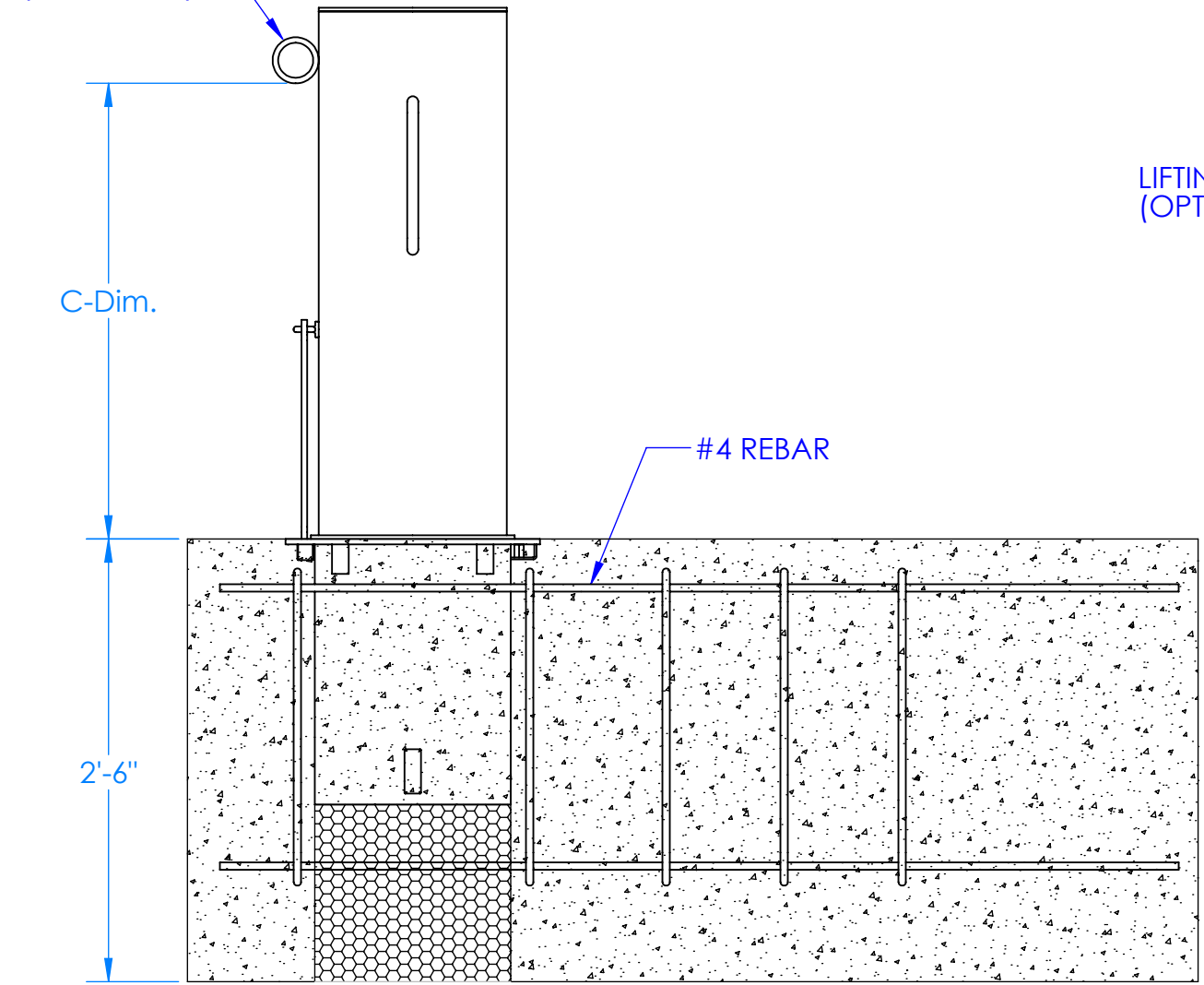


CAP STYLE

NOTE:

- 1.) PADLOCK TO SECURE BOLLARD SHALL BE PROVIDED BY OTHERS.
- 2.) FOOTING SHOWN IS A RECOMMENDED FOOTING, ENGINEERED BY OTHERS.
- 3.) EMBEDMENT SLEEVE IS SHOWN FOR REFERENCE ONLY. EMBEDMENT SLEEVE WILL BE ENTERED AS A SEPERATE LINE ITEM. EMBEDMENT SLEEVE IS FABRICATED FROM T304 STAINLESS STEEL.

CHAIN EYE (OPTIONAL)

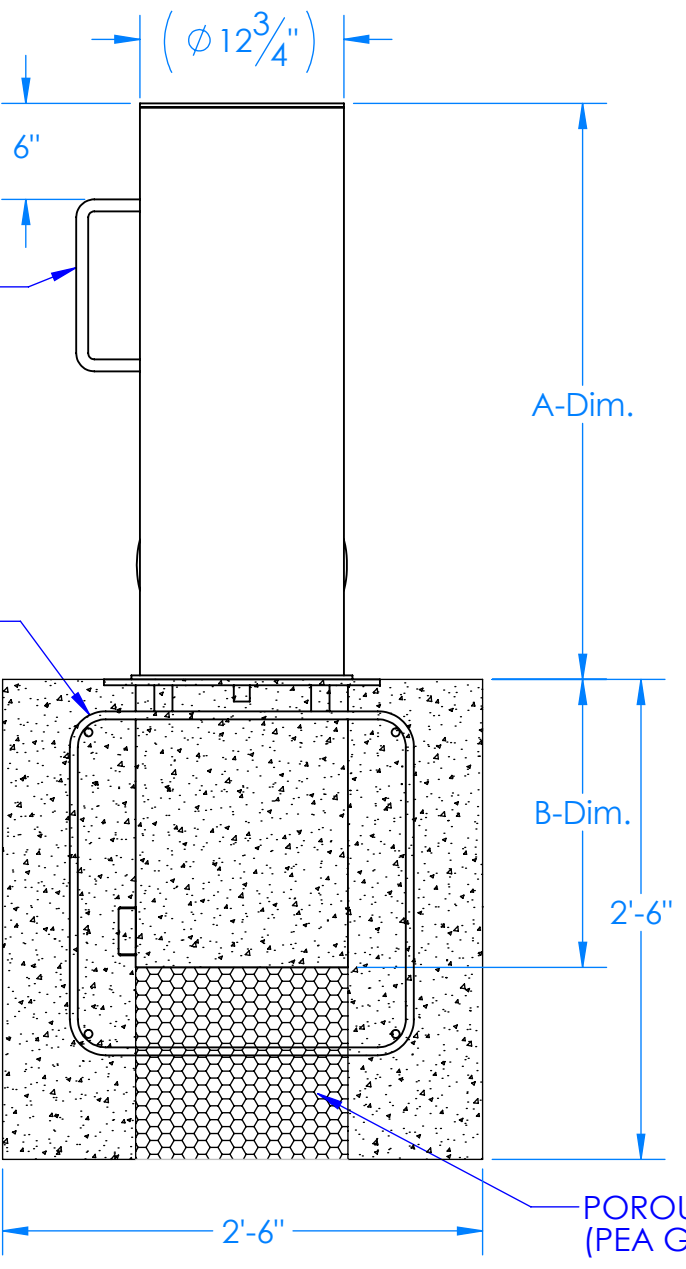


ELEVATION - VIEW

LIFTING HANDLE (OPTIONAL)

#4 REBAR STIRRUPS

#4 REBAR



POROUS METRIAL (PEA GRAVEL)

SPECIFICATION:

Bollard Material (12" Pipe Size):

- SSP12000 Sch 10 Stainless Steel
- SSP12040 Sch 40 Stainless Steel
- SSP12080 Sch 10 Stainless Steel w/ Carbon Steel Insert
- IBP12040 Sch 40 ASTM A-53 Carbon Steel
- IBP12080 Sch 80 ASTM A-53 Carbon Steel

Bollard Cap Style:

- Flat (Standard)
- Dome
- Viking
- Knight

Options:

- Handle Qty. _____
- Chain Eye Qty. _____ C-Dim. _____

Carbon Steel/ T304 S.S. Bollard Finish:

- Powdercoat RAL # : _____
- #4 Brushed Finish
- Other : _____

Please Specify the Following Dimensions:

- A-Dim. _____ (Std. 36")
- B-Dim. _____ (Std. 18")

Company: _____

Project Name: _____

Signee's Name Written Clearly: _____ Date: _____

Authorized Signature: _____

SIZE B	DRAWN BY: JMG	REV:
	DRAWN DATE: 10/12/15	SHEET: 1 OF 1



19440 S. DOMINGUEZ HILLS DR.
RANCHO DOMIGUEZ, CA. 90220,USA

www.CalPipeBollards.com
562.803.4388 Direct
310.885.1899 Fax

PROPRIETARY AND CONFIDENTIAL
THE INFORMATION CONTAINED IN THIS DRAWING IS THE SOLE PROPERTY OF CALPIPE INDUSTRIES INC. ANY REPRODUCTION IN PART OR AS A WHOLE WITHOUT THE WRITTEN PERMISSION OF CALPIPE INDUSTRIES INC. IS PROHIBITED

UNLESS OTHERWISE SPECIFIED:
DIMENSIONS ARE IN INCHES
TOLERANCES:
FRACTIONAL ± 1/4
ANGULAR: MACH ±1 BEND ±1
TWO PLACE DECIMAL THREE ±.010
PLACE DECIMAL ±.005

IBP12XXX
12" STEEL/ T304 S.S. PADLOCKING
REMOVABLE BOLLARD