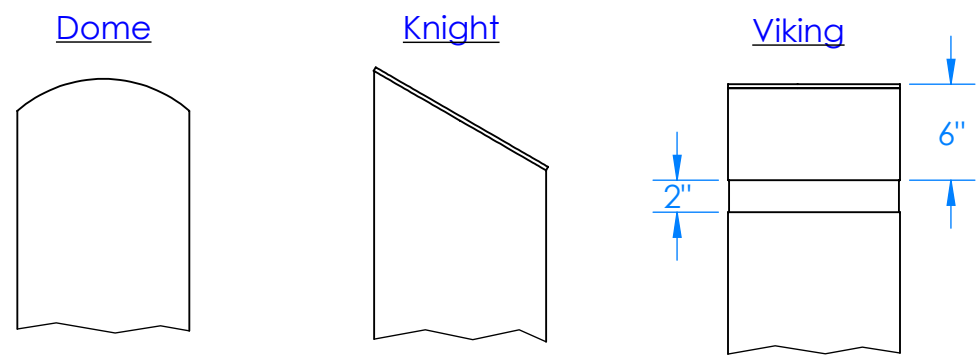


# Cap Style



## SPECIFICATION:

- Bollard Material: 10" Pipe (10-3/4" OD)
- IBF10040 Sch.40 ASTM A-53 Carbon Steel
  - IBF10080 Sch.80 ASTM A-53 Carbon Steel

### Bollard Cap Style:

- Flat (Standard)
- Viking
- Dome
- Knight

### Options:

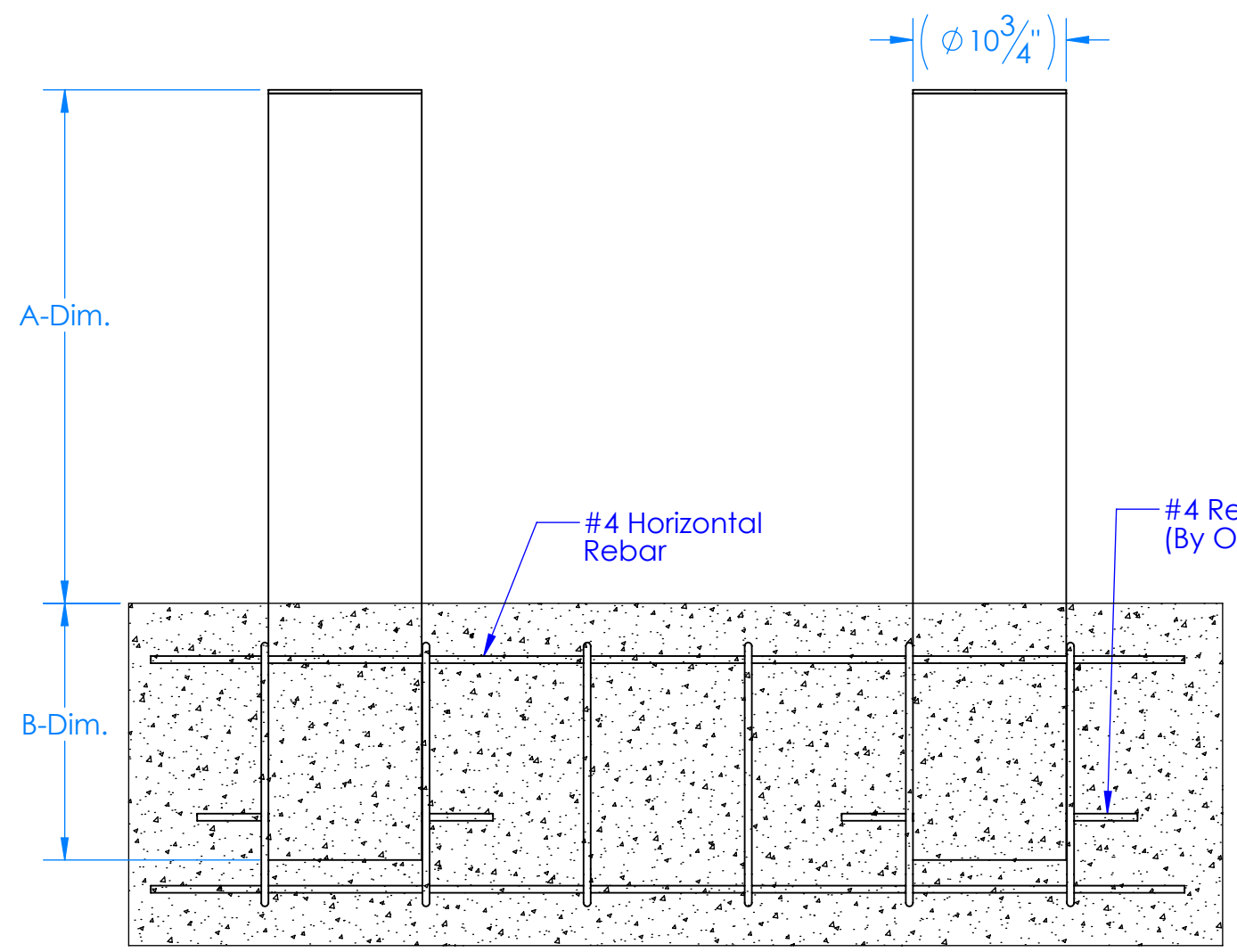
- Chain Eye Qty. \_\_\_\_\_ Height: \_\_\_\_\_

### Carbon Steel Finish:

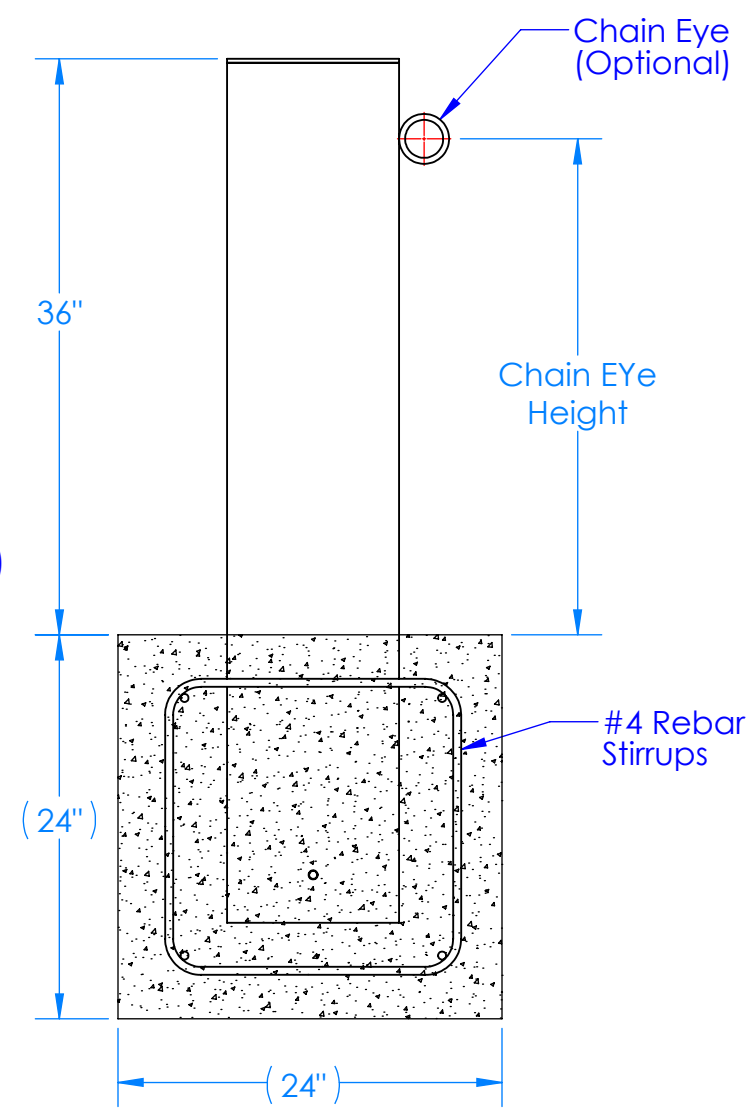
- Powder Coat RAL#: \_\_\_\_\_
- Other: \_\_\_\_\_

### Please Specify the Following Dimensions:

- A-Dim. \_\_\_\_\_ (Std. 36")
- B-Dim. \_\_\_\_\_ (Std. 18" Embedment Depth)



Elevation View



Side Elevation View

Company: \_\_\_\_\_

Project Name: \_\_\_\_\_

Signee's Name Written Clearly: \_\_\_\_\_ Date: \_\_\_\_\_

Authorized Signature: \_\_\_\_\_

|                   |                           |                |
|-------------------|---------------------------|----------------|
| <b>SIZE<br/>B</b> | <b>DRAWN BY: JMG</b>      | <b>REV :</b>   |
|                   | <b>DRAWN DATE: 4/1/17</b> | <b>SHEET :</b> |



19440 S. DOMINGUEZ HILLS DR.  
RANCHO DOMIGUEZ, CA. 90220,USA

www.CalPipeBollards.com  
562.803.4388 Direct  
310.885.1899 Fax

**PROPRIETARY AND CONFIDENTIAL**  
THE INFORMATION CONTAINED IN THIS DRAWING IS THE SOLE PROPERTY OF CALPIPE INDUSTRIES INC. ANY REPRODUCTION IN PART OR AS A WHOLE WITHOUT THE WRITTEN PERMISSION OF CALPIPE INDUSTRIES INC. IS PROHIBITED

**UNLESS OTHERWISE SPECIFIED:**  
DIMENSIONS ARE IN INCHES  
TOLERANCES:  
FRACTIONAL ± 1/4  
ANGULAR: MACH ± 1 BEND ± 1  
TWO PLACE DECIMAL THREE ± 0.010  
PLACE DECIMAL ± 0.005

**IBF10XXX**  
**10" Steel Fixed Bollard**