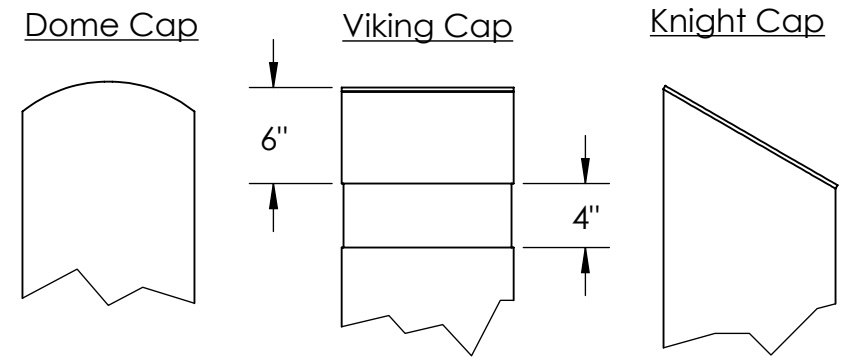


Flat Cap

**Cap Style Option**



**NOTE:**

- 1.) FOOTING SHOWN IS A RECOMMENDED FOOTING, ENGINEERED BY OTHERS.
- 2.) EMBEDMENT SLEEVE IS SHOWN FOR REFERENCE ONLY. EMBEDMENT SLEEVE WILL BE ENTERED AS A SEPERATE LINE ITEM. EMBEDMENT SLEEVE IS FABRICATED FROM T304 STAINLESS STEEL.

**SPECIFICATION:**

Bollard Material (10" Nominal Size):

- SSR10000 Sch 10 Stainless Steel
- SSR10040 Sch 40 Stainless Steel
- SSR10080 Sch 10 Stainless Steel w/ Carbon Steel Insert

Stainless Steel Grade:

- T304     T316

Bollard Cap Style:

- Flat (Standard)
- Viking
- Dome
- Knight

Options:

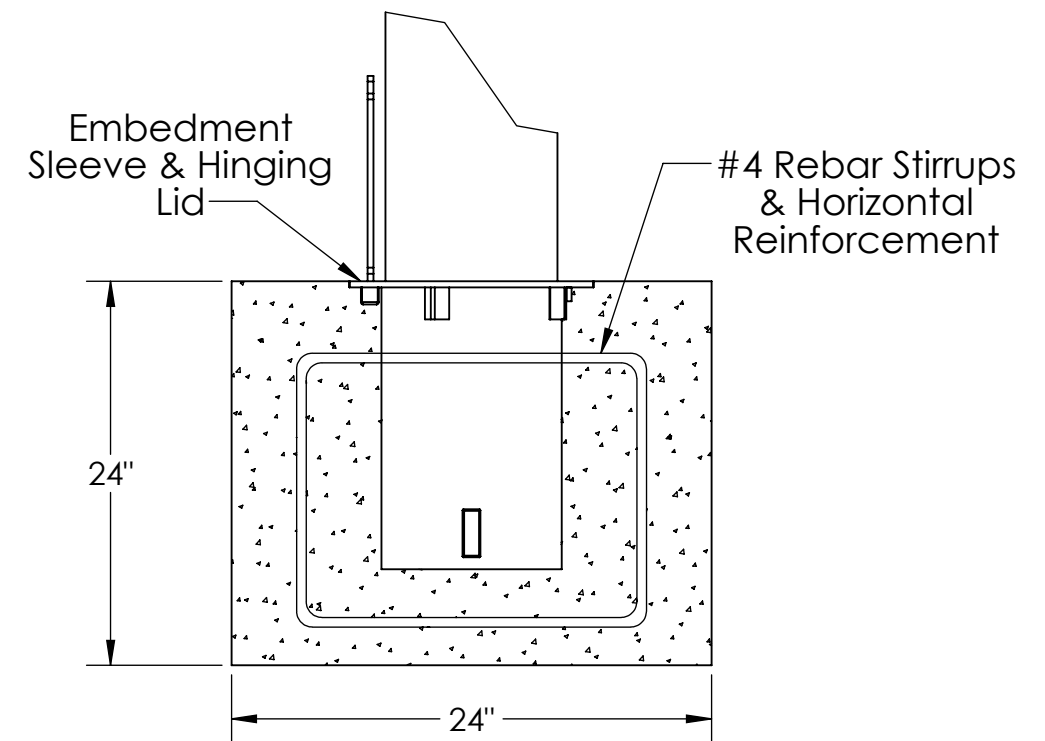
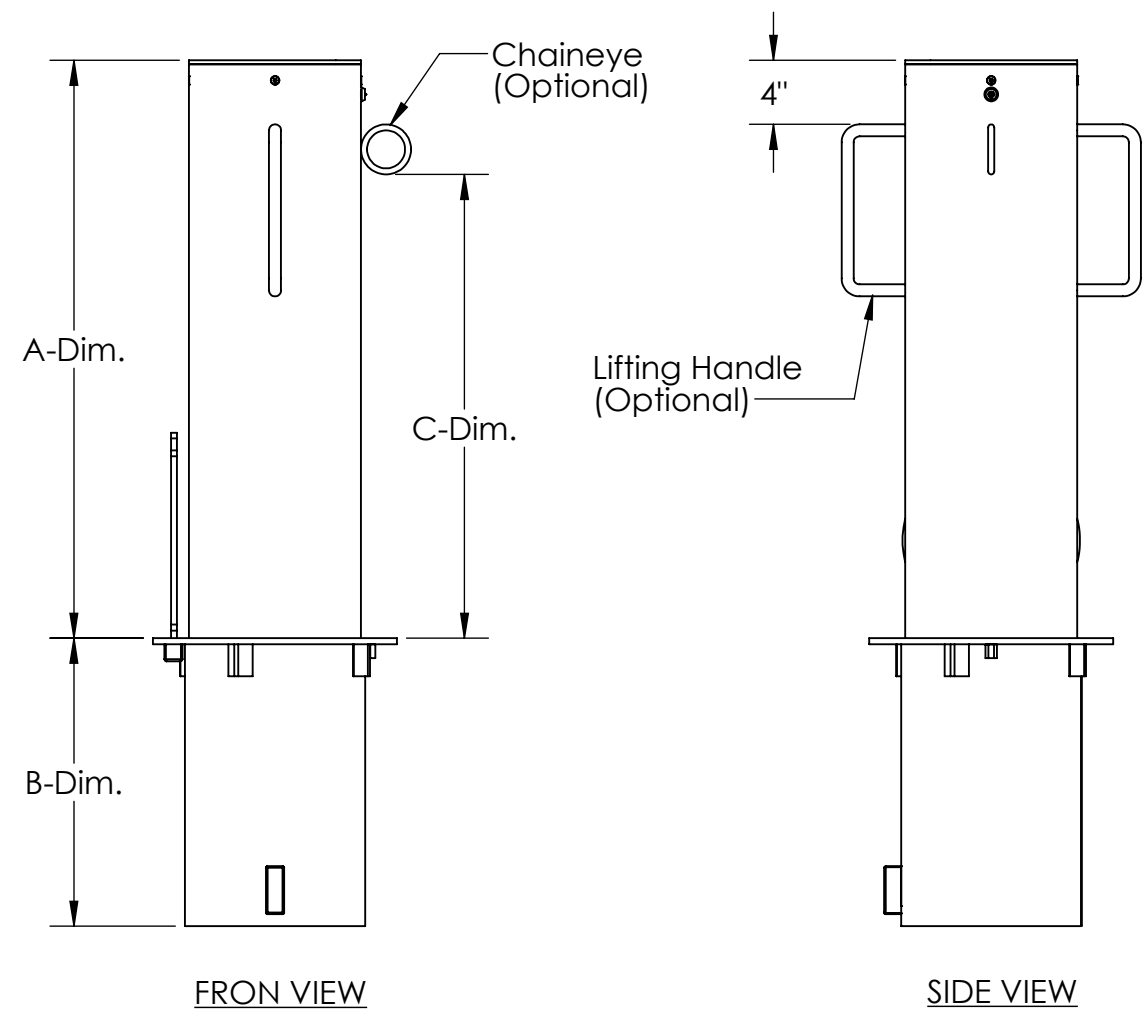
- Handle Qty. \_\_\_\_\_
- Chaineye Qty. \_\_\_\_\_ C-Dim. \_\_\_\_\_

Bollard Finish:

- #4 Brushed Finish
- Powder Coat: RAL# \_\_\_\_\_
- Other : \_\_\_\_\_

Please Specify the Following Dimensions:

- A-Dim. \_\_\_\_\_ (Std. 36")
- B-Dim. \_\_\_\_\_ (Std. 18")



**Recommended Footing Engineering by Others**

Company: \_\_\_\_\_

Project Name: \_\_\_\_\_

Signee's Name Written Clearly: \_\_\_\_\_ Date: \_\_\_\_\_

Authorized Signature: \_\_\_\_\_

<b>SIZE B</b>	<b>PRODUCED BY :</b>	<b>JMG</b>	<b>REV :</b>	
	<b>PRODUCED ON :</b>	<b>2/2/2016</b>	<b>SHEET :</b>	<b>10F1</b>



**19440 S. DOMINGUEZ HILLS DR.  
RANCHO DOMINGUEZ, CA 90220**

**www.CalPipeBollards.com  
562.803.4388 Direct  
562.803.9885 Fax**

PROPRIETARY AND CONFIDENTIAL  
THE INFORMATION CONTAINED IN THIS DRAWING IS THE SOLE PROPERTY OF CALPIPE INDUSTRIES INC. ANY REPRODUCTION IN PART OR AS A WHOLE WITHOUT THE WRITTEN PERMISSION OF CALPIPE INDUSTRIES INC. IS PROHIBITED

UNLESS OTHERWISE SPECIFIED:  
DIMENSIONS ARE IN INCHES  
TOLERANCES:  
FRACTIONAL ± 1/4  
ANGULAR: MACH ±1 BEND ±1  
TWO PLACE DECIMAL THREE ±.010  
PLACE DECIMAL ±.005

**SSR10XXX  
10" T304 SS INTERNAL LOCKING  
REMOVABLE BOLLARD**