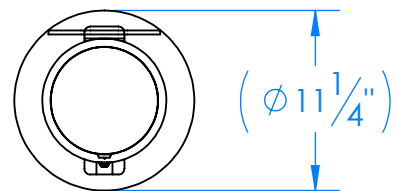
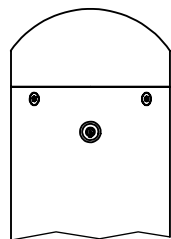


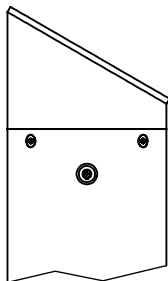
# Cap Style



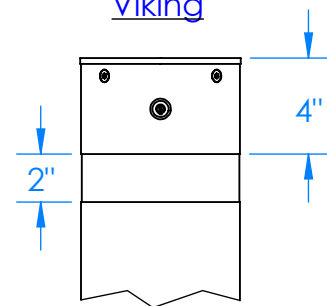
Dome



Knight



Viking



**NOTE:**

- 1.) FOOTING SHOWN IS A RECOMMENDED FOOTING, ENGINEERED BY OTHERS.
- 2.) EMBEDMENT SLEEVE IS SHOWN FOR REFERENCE ONLY. EMBEDMENT SLEEVE WILL BE ENTERED AS A SEPERATE LINE ITEM.
- 3.) HANDLE & CHAIN EYE ORIENTATION/ HEIGHT SHALL BE DETERMINED BY THE CUSTOMER WHEN BOTH OPTIONS ARE SELECTED.

**SPECIFICATIONS:**

Bollard Material : 6" Pipe (6-5/8" OD)

- SSR06040 Sch 40
- SSR06080 Sch 80

Stainless Steel Type:

- T304 (Std.)
- T316

Bollard Cap Style:

- Flat (Standard)
- Viking
- Dome
- Knight

Options:

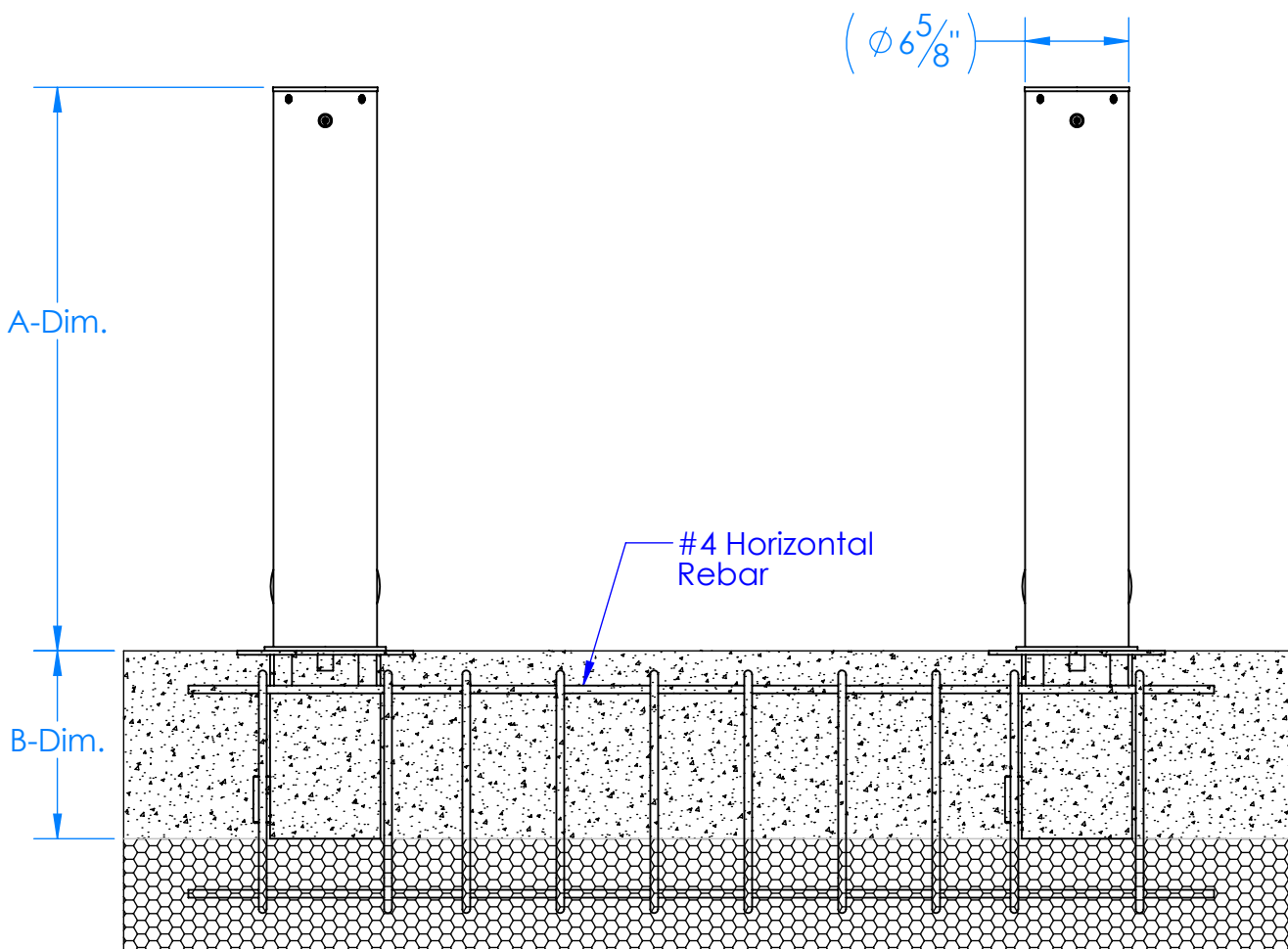
- Handle Qty. \_\_\_\_\_ Height \_\_\_\_\_
- Chain Eye Qty. \_\_\_\_\_ Height \_\_\_\_\_

Finish:

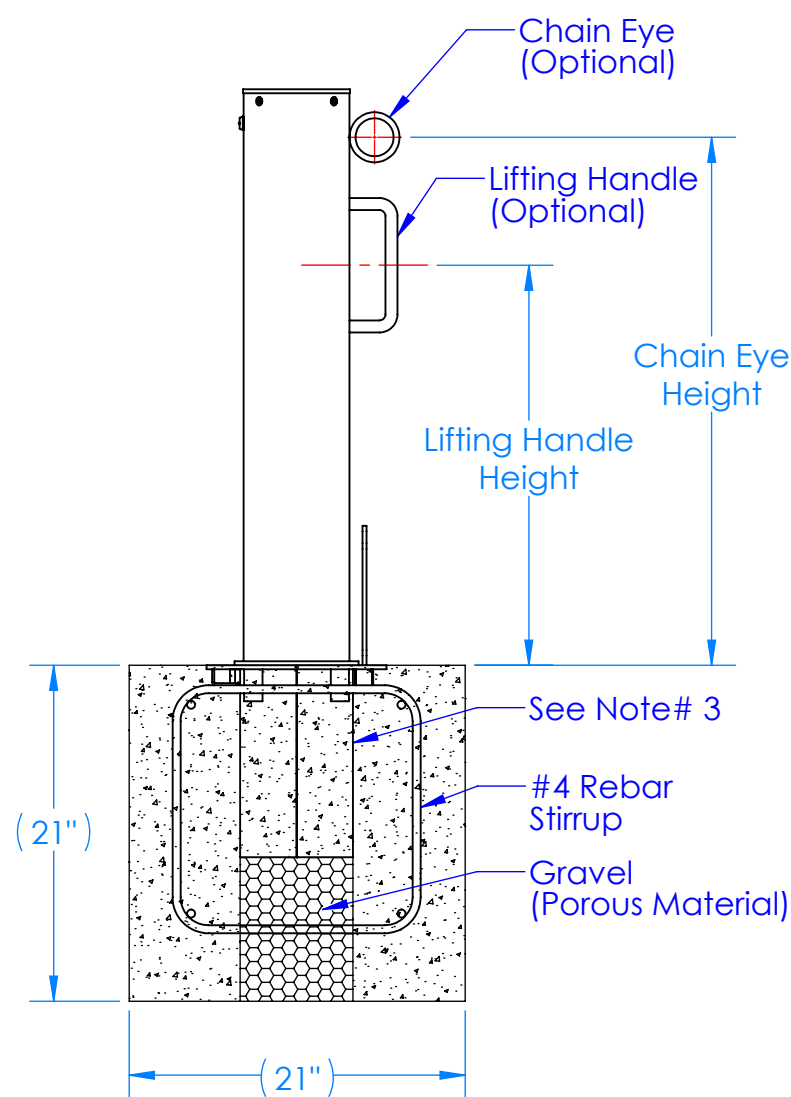
- #4 Brushed Finish (Std.)
- Powder Coat RAL# \_\_\_\_\_
- Other: \_\_\_\_\_

Please Specify the Following Dimensions:

A-Dim. \_\_\_\_\_ (Std. 36")  
 B-Dim. \_\_\_\_\_ (Std. 12")



Elevation View



Side Elevation View

Company: \_\_\_\_\_

Project Name: \_\_\_\_\_

Signee's Name Written Clearly: \_\_\_\_\_ Date: \_\_\_\_\_

Authorized Signature: \_\_\_\_\_

<b>SIZE B</b>	<b>DRAWN BY: JMG</b>	<b>REV :</b>
	<b>DRAWN DATE: 8/3/16</b>	<b>SHEET :</b>



19440 S. DOMINGUEZ HILLS DR.  
 RANCHO DOMIGUEZ, CA. 90220,USA

www.CalPipeBollards.com  
 562.803.4388 Direct  
 310.885.1899 Fax

**PROPRIETARY AND CONFIDENTIAL**  
 THE INFORMATION CONTAINED IN THIS DRAWING IS THE SOLE PROPERTY OF CALPIPE INDUSTRIES INC. ANY REPRODUCTION IN PART OR AS A WHOLE WITHOUT THE WRITTEN PERMISSION OF CALPIPE INDUSTRIES INC. IS PROHIBITED

**UNLESS OTHERWISE SPECIFIED:**  
 DIMENSIONS ARE IN INCHES  
 TOLERANCES:  
 FRACTIONAL ± 1/4  
 ANGULAR: MACH ±1 BEND ±1  
 TWO PLACE DECIMAL THREE ±.010  
 PLACE DECIMAL ±.005

**SSR06XXX**  
**6" INTERNAL LOCKING REMOVABLE BOLLARD**