

# Cap Style

**NOTE:**

- 1.) FOOTING SHOWN IS A RECOMMENDED FOOTING, ENGINEERED BY OTHERS.
- 2.) EMBEDMENT SLEEVE IS SHOWN FOR REFERENCE ONLY. EMBEDMENT SLEEVE IS ENTERED AS A SEPERATE LINE ITEM.
- 3.) HANDLE, CHAIN EYE ORIENTATION AND HEIGHT IS DETERMINED BY THE CUSTOMER WHEN BOTH OPTIONS ARE SELECTED.

**SPECIFICATION:**

Bollard Material (4" Stainless Steel Pipe Size):

- SSR04040 Sch.40 Stainless Steel
- SSR04080 Sch.80 Stainless Steel

Stainless Steel Grade:

- T304 (Standard)
- T316

Bollard Cap Style:

- Flat (Standard)
- Viking
- Dome
- Knight

Options:

- Handle Qty. \_\_\_\_\_
- Chain Eye Qty. \_\_\_\_\_ C-Dim. \_\_\_\_\_

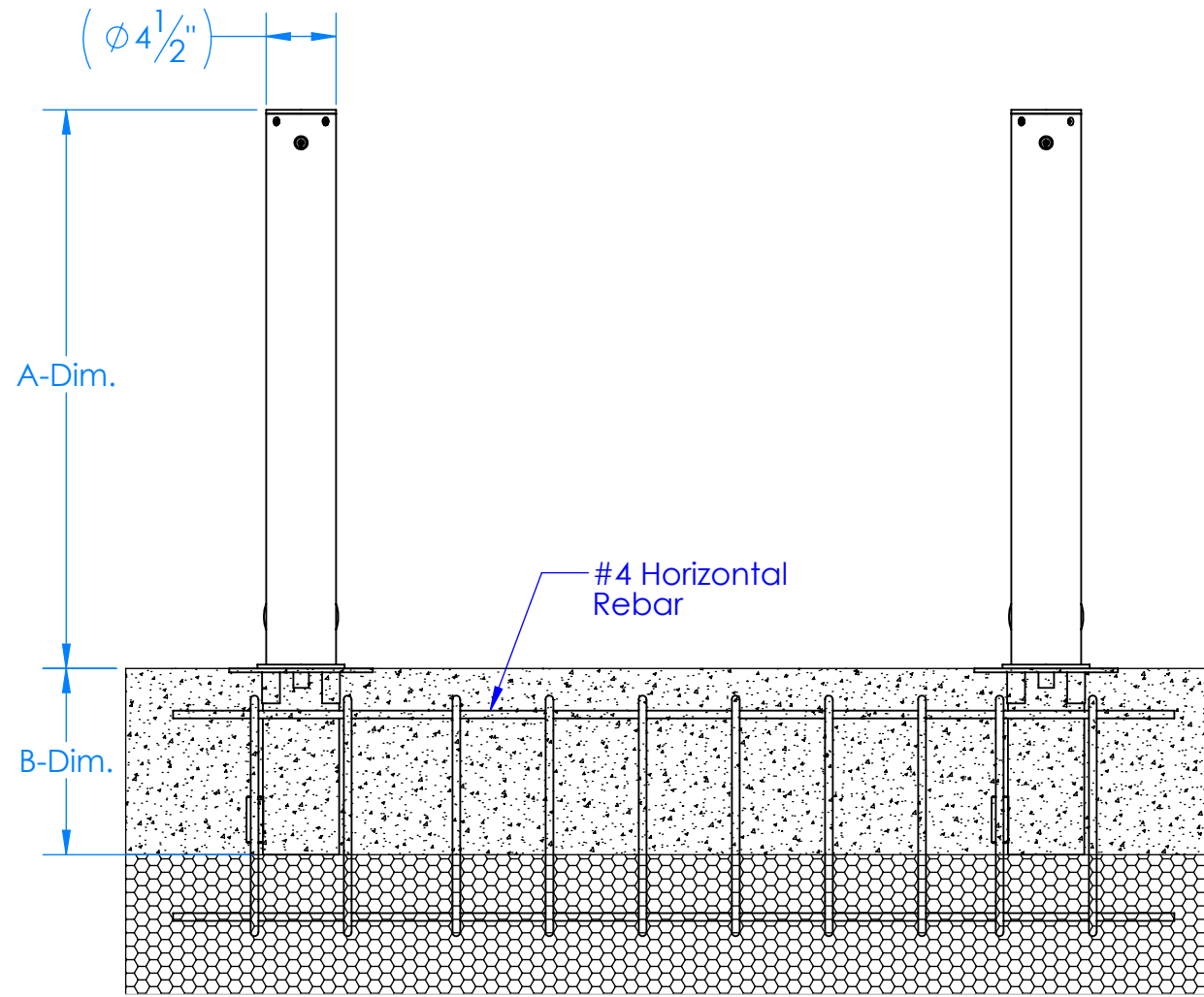
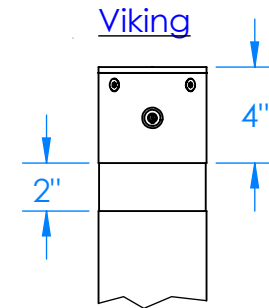
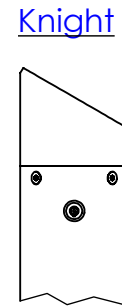
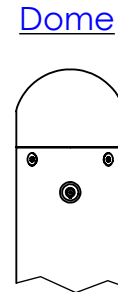
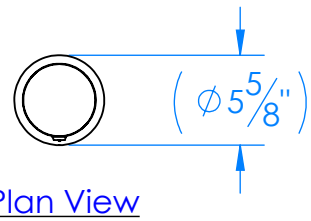
Bollard Finish:

- #4 Brushed Finish (Std.)
- Powdercoat RAL # : \_\_\_\_\_
- Other : \_\_\_\_\_

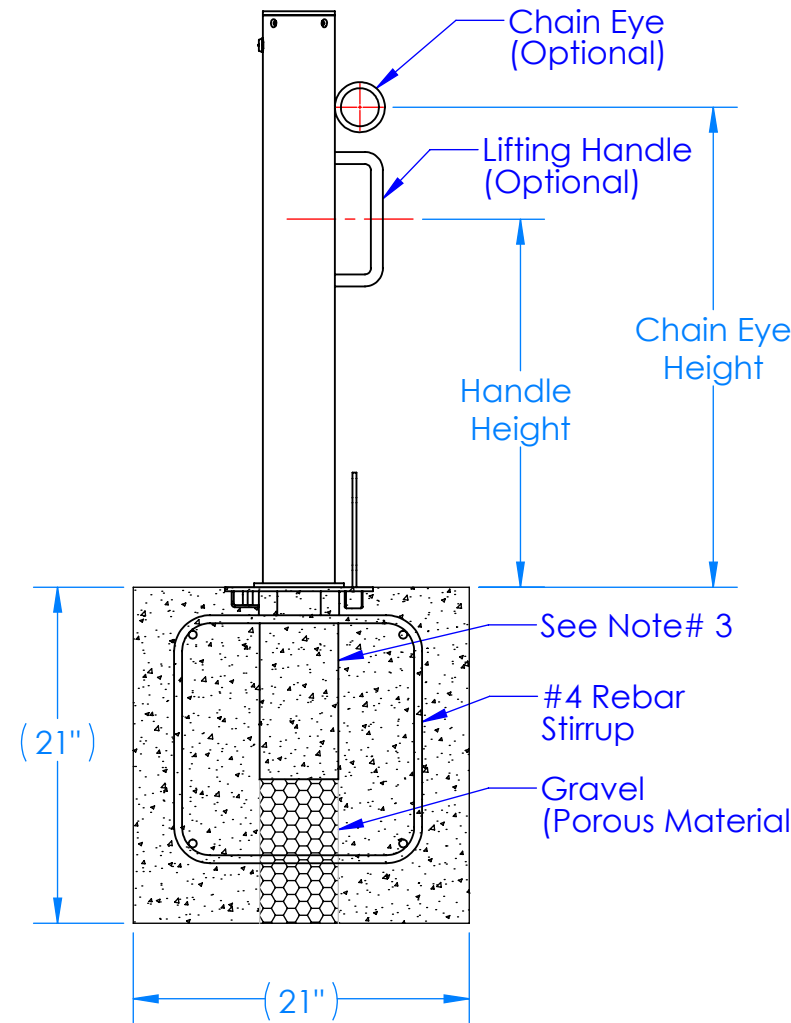
Please Specify the Following Dimensions:

A-Dim. \_\_\_\_\_ (Std. 36")

B-Dim. \_\_\_\_\_ (Std. 12")



Elevation View - Foundation



End View - Elevation

Company: \_\_\_\_\_

Project Name: \_\_\_\_\_

Signee's Name Written Clearly: \_\_\_\_\_ Date: \_\_\_\_\_

Authorized Signature: \_\_\_\_\_

<b>SIZE B</b>	<b>DRAWN BY: SPL</b>	<b>REV : A</b>
	<b>DRAWN DATE: 11/16/2016</b>	<b>SHEET : 1 / 1</b>