

Cap Style

NOTE:

- 1.) FOOTING SHOWN IS A RECOMMENDED FOOTING, ENGINEERED BY OTHERS.
- 2.) EMBEDMENT SLEEVE IS SHOWN FOR REFERENCE ONLY. EMBEDMENT SLEEVE WILL BE ENTERED AS A SEPERATE LINE ITEM.
- 3.) HANDLE & CHAIN EYE ORIENTATION/ HEIGHT SHALL BE DETERMINED BY THE CUSTOMER WHEN BOTH OPTIONS ARE SELECTED.

SPECIFICATION:

Bollard Material: 3" Pipe (3-1/2" OD)

- SSR03040 Sch.40 Stainless Steel
- SSR03080 Sch.80 Stainless Steel

Stainless Steel Grade:

- T304 (Standard)
- T316

Bollard Cap Style:

- Flat (Standard)
- Dome
- Viking
- Knight

Options:

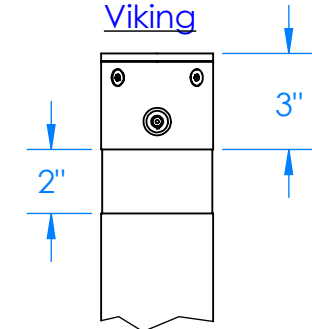
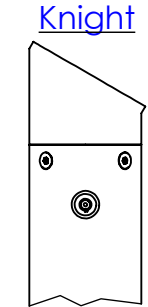
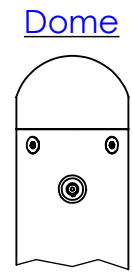
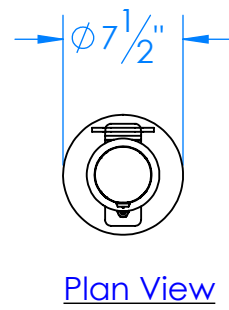
- Handle Qty. _____
- Chain Eye Qty. _____ C-Dim. _____

Bollard Finish:

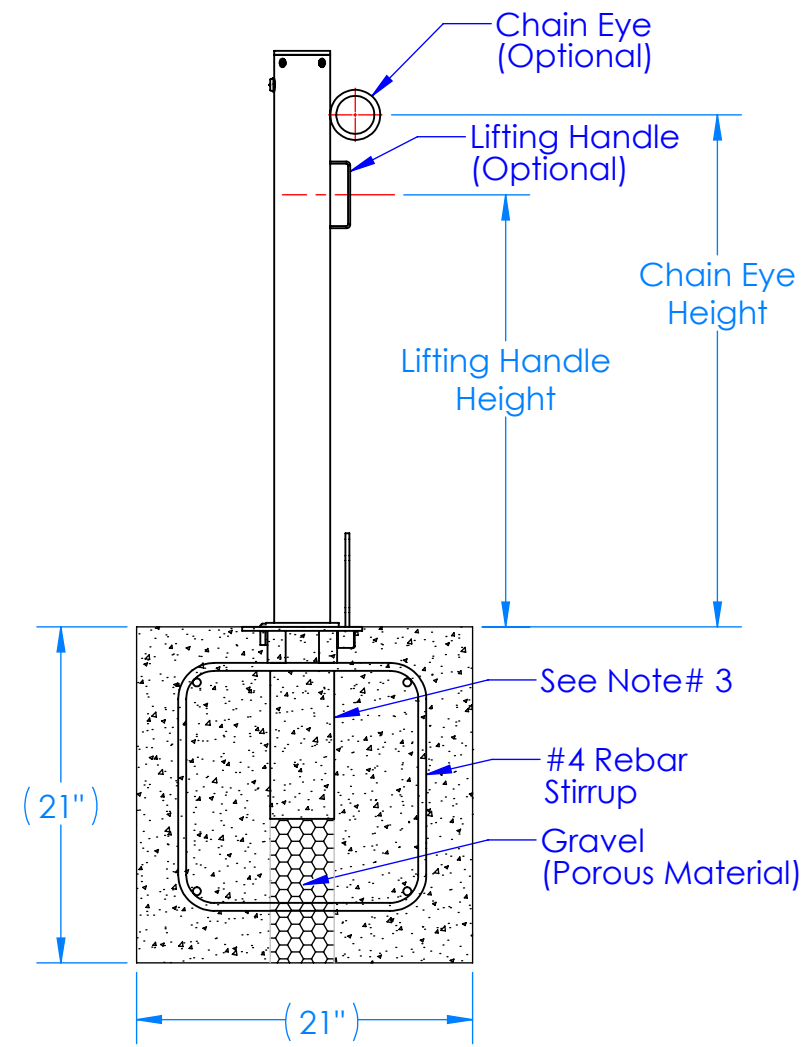
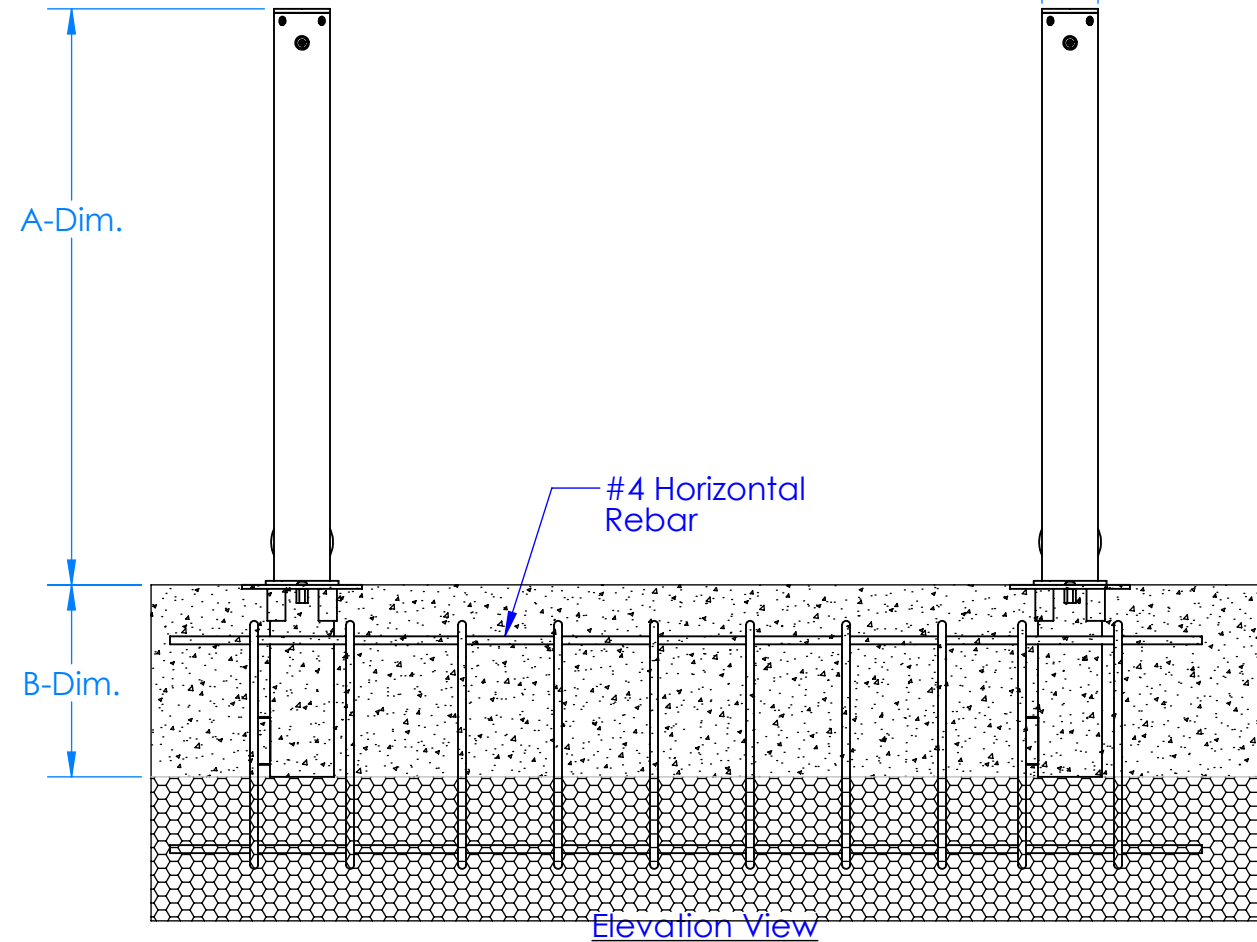
- #4 Brushed Finish (Std.)
- Powdercoat RAL # : _____
- Other : _____

Please Specify the Following Dimensions:

- A-Dim. _____ (Std. 36")
- B-Dim. _____ (Std. 12")



($\phi 3\frac{1}{2}$ ")



Company: _____
 Project Name: _____
 Signee's Name Written Clearly: _____ Date: _____
 Authorized Signature: _____



19440 S. DOMINGUEZ HILLS DR.
 RANCHO DOMIGUEZ, CA. 90220,USA

www.CalPipeBollards.com
 562.803.4388 Direct
 310.885.1899 Fax

PROPRIETARY AND CONFIDENTIAL
 THE INFORMATION CONTAINED IN THIS DRAWING IS THE SOLE PROPERTY OF CALPIPE INDUSTRIES INC. ANY REPRODUCTION IN PART OR AS A WHOLE WITHOUT THE WRITTEN PERMISSION OF CALPIPE INDUSTRIES INC. IS PROHIBITED

UNLESS OTHERWISE SPECIFIED:
 DIMENSIONS ARE IN INCHES
 TOLERANCES:
 FRACTIONAL $\pm 1/4$
 ANGULAR: MACH ± 1 BEND ± 1
 TWO PLACE DECIMAL THREE ± 0.10
 PLACE DECIMAL ± 0.05

SIZE B	DRAWN BY: JMG	REV :
	DRAWN DATE: 4/1/17	SHEET :

SSR03XXX
3" S.S. Internal Locking Removable Bollard