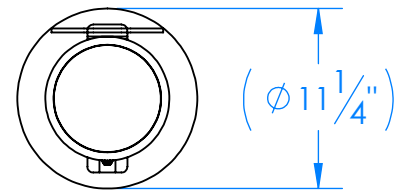
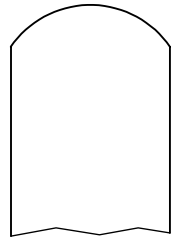


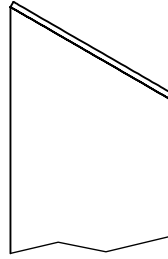
Cap Style



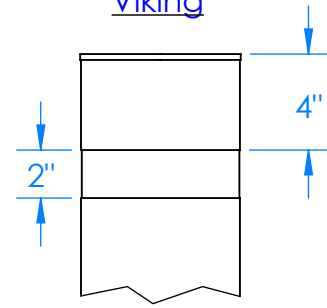
Dome



Knight



Viking



NOTE:

- 1.) PADLOCK TO SECURE BOLLARD SHALL BE PROVIDED BY OTHERS.
- 2.) FOOTING SHOWN IS A RECOMMENDED FOOTING, ENGINEERED BY OTHERS.
- 3.) EMBEDMENT SLEEVE IS SHOWN FOR REFERENCE ONLY. EMBEDMENT SLEEVE WILL BE ENTERED AS A SEPERATE LINE ITEM. EMBEDMENT SLEEVE IS FABRICATED FROM STAINLESS STEEL.

SPECIFICATIONS:

Bollard Material : 6" Pipe (6-5/8" OD)

- SSP06040 Sch 40
- SSP06080 Sch 80

Stainless Steel Grade:

- T304 (Std.)
- T316

Bollard Cap Style:

- Flat (Std.)
- Dome
- Viking
- Knight

Options:

- Handle Qty. _____ Height _____
- Chain Eye Qty. _____ Height _____

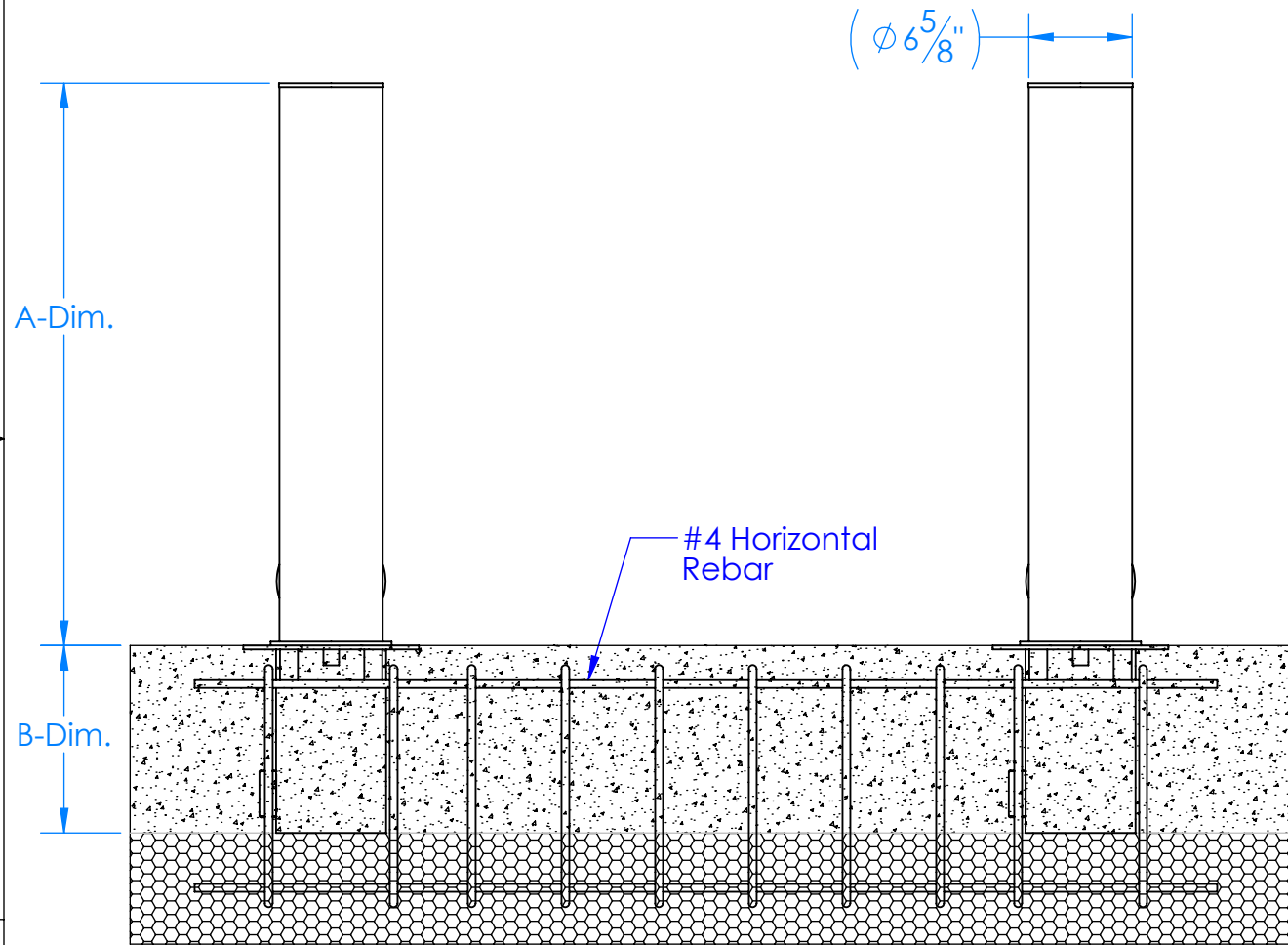
Surface Finish:

- #4 Brushed (Std.)
- Powder Coat RAL# _____
- Other: _____

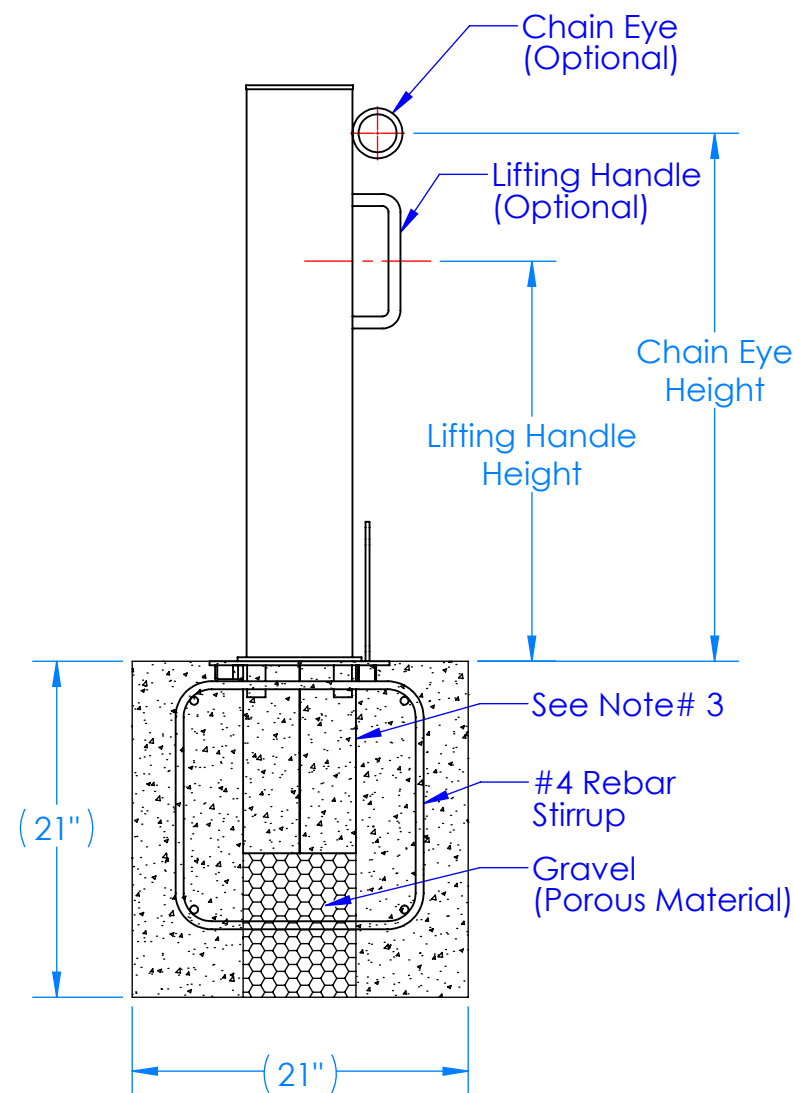
Please Specify the Following Dimensions:

A-Dim. _____ (Std. 36")

B-Dim. _____ (Std. 12")



Elevation View



Side Elevation View

Company: _____

Project Name: _____

Signee's Name Written Clearly: _____ Date: _____

Authorized Signature: _____

SIZE B	DRAWN BY: JMG	REV :
	DRAWN DATE: 11/9/16	SHEET :



19440 S. DOMINGUEZ HILLS DR.
RANCHO DOMIGUEZ, CA. 90220, USA

www.CalPipeBollards.com
562.803.4388 Direct
310.885.1899 Fax

PROPRIETARY AND CONFIDENTIAL
THE INFORMATION CONTAINED IN THIS DRAWING IS THE SOLE PROPERTY OF CALPIPE INDUSTRIES INC. ANY REPRODUCTION IN PART OR AS A WHOLE WITHOUT THE WRITTEN PERMISSION OF CALPIPE INDUSTRIES INC. IS PROHIBITED

UNLESS OTHERWISE SPECIFIED:
DIMENSIONS ARE IN INCHES
TOLERANCES:
FRACTIONAL $\pm 1/4$
ANGULAR: MACH ± 1 BEND ± 1
TWO PLACE DECIMAL THREE ± 0.10
PLACE DECIMAL ± 0.05

SSP06XXX
6" Stainless Steel Padlocking Removable Bollard