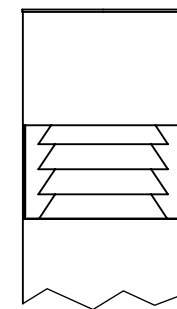
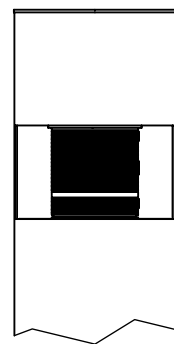


360 Degree

Slotted

Globe Style



Glass Refractor

Stacked Louver

SPECIFICATION:

Bollard Material (8" Tube):

Internal Post Wall Thickness:

- 1/2" 3/4" 1"

Bollard Cover Style:

- 360 Degree Slotted

Stainless Steel Grade:

- T304 Std. T316

Height: 36" Std. 42"

Bollard Cap Style:

- Dome Flat

Globe Style:

- Stacked Louver:
- Metal Halide - 70w max (Transformer)
 - CFL - 42w max (Smart Tap)
 - Induction Fluorescent - 15w max (120v only)
 - Led - 12w
 - Cool Warm
- Glass Refractor:
- Metal Halide - 100w max (Transformer)
 - CFL - 42w max (Smart Tap)
 - Induction Fluorescent - 23w max (120v only)
 - Led - 12w
 - Cool Warm

Lense Style:

- Clear Opal

Voltage

- 120v 208v
 240v 277v Other _____

Bollard Finish:

- Powdercoat RAL # : _____
 #4 Brushed Finish (Horizontal)
 Other : _____

Company: _____

Project Name: _____

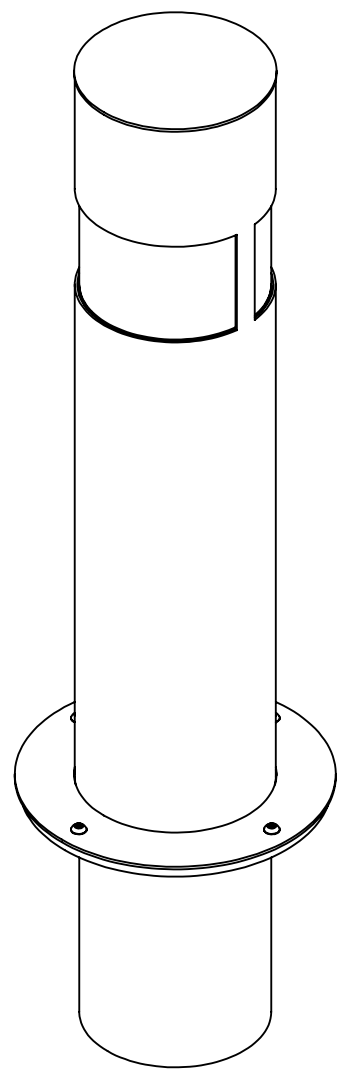
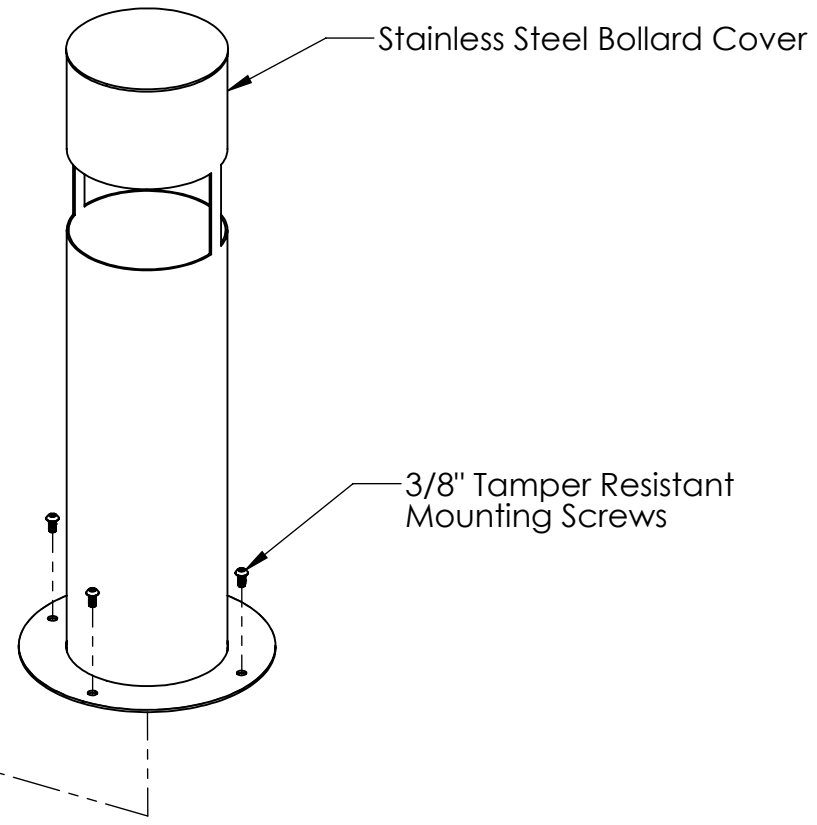
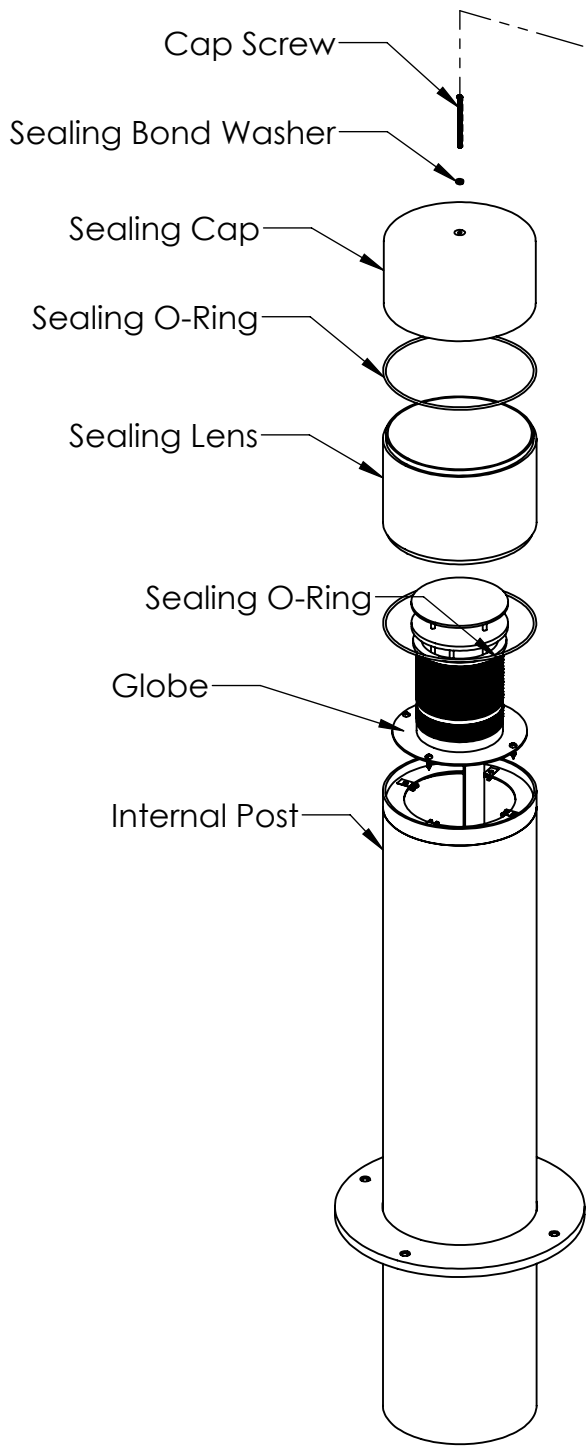
Signee's Name Written Clearly: _____ Date: _____

Authorized Signature: _____

SIZE B	PRODUCED BY :	J. GARCIA	REV :	C
	PRODUCED ON :	8/12/2013	SHEET :	1 of 3

8 7 6 5 4 3 2 1

D
C
B
A



D
C
B
A

SIZE B	PRODUCED BY :	J. GARCIA	REV :	C
	PRODUCED ON :	8/12/2013	SHEET :	2 OF 3

CALPIPE INDUSTRIES
Incorporated

19440 S. DOMINGUEZ HILLS DR.
RANCHO DOMINGUEZ CA. 90220

www.CalPipeBollards.com
562.803.4388 Direct
562.803.9885 Fax

PROPRIETARY AND CONFIDENTIAL
THE INFORMATION CONTAINED IN THIS
DRAWING IS THE SOLE PROPERTY OF
CALPIPE INDUSTRIES INC. ANY
REPRODUCTION IN PART OR AS A WHOLE
WITHOUT THE WRITTEN PERMISSION OF
CALPIPE INDUSTRIES INC. IS PROHIBITED

UNLESS OTHERWISE SPECIFIED:
DIMENSIONS ARE IN INCHES
TOLERANCES:
FRACTIONAL ± 1/4
ANGULAR: MACH ± 1 BEND ± 1
TWO PLACE DECIMAL THREE ± .010
PLACE DECIMAL ± .005

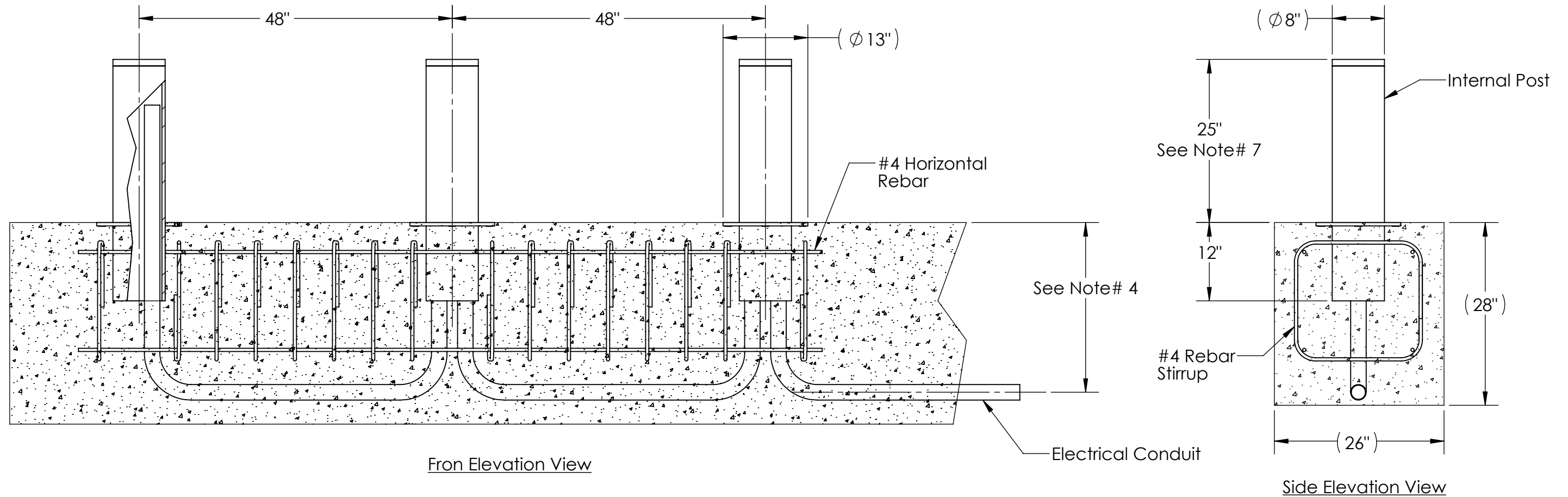
SSLS08XXX Exploded View

8 7 6 5 4 3 2 1

General Notes

- 1.) Prior to install water table and soil conditions should be varified.
- 2.) The footing shown is a recommended footing, engineered by others. Footing dimensinos will vary according to location and installation specifications.
- 3.) Bollard spacing should be ADA compliant.
- 4.) Electrical conduit depth will vary according to local electrical code. It is the responsibilty of the General Contractor to install electrical conduit according to local codes.
- 5.) To prevent moisture from entering the light assembly, it is recommended to fill post with concrete.
- 6.) Concrete: 3500 Psi Minimum
- 7.) Depending on height option selected on sheet #1, internal post height will vary. Refer to Internal Post Height Table .

Internal Post Height	
Cover Height	Internal Post Above Grade
36"	25"
42"	31"



SIZE B	PRODUCED BY :	JMG	REV :
	PRODUCED ON :	6/25/16	SHEET : 3 of 3

CALPIPE INDUSTRIES
Incorporated

19440 S. Dominguez Hills Dr.
Rancho Dominguez, Ca. 90220

www.CalPipeBollards.com
562.803.4388 Direct
562.803.9885 Fax

PROPRIETARY AND CONFIDENTIAL
THE INFORMATION CONTAINED IN THIS DRAWING IS THE SOLE PROPERTY OF CALPIPE INDUSTRIES INC. ANY REPRODUCTION IN PART OR AS A WHOLE WITHOUT THE WRITTEN PERMISSION OF CALPIPE INDUSTRIES INC. IS PROHIBITED

UNLESS OTHERWISE SPECIFIED:
DIMENSIONS ARE IN INCHES
TOLERANCES:
FRACTIONAL ± 1/4
ANGULAR: MACH ± 1 BEND ± 1
TWO PLACE DECIMAL THREE ± 0.010
PLACE DECIMAL ± 0.005

**SSLS08XXX 8" Security Lighted Bollard
Typical Footing & Layout**