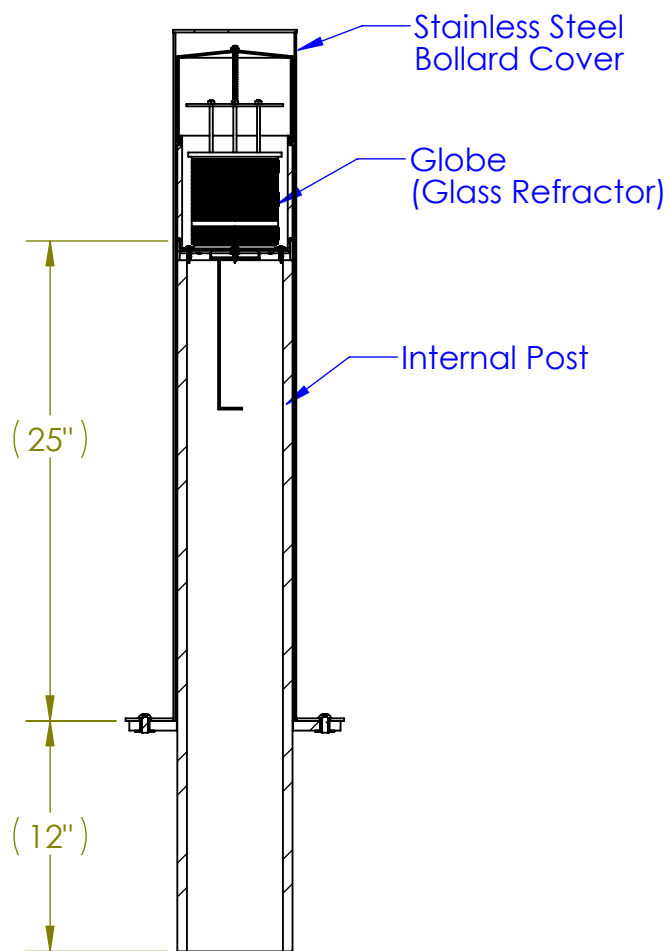
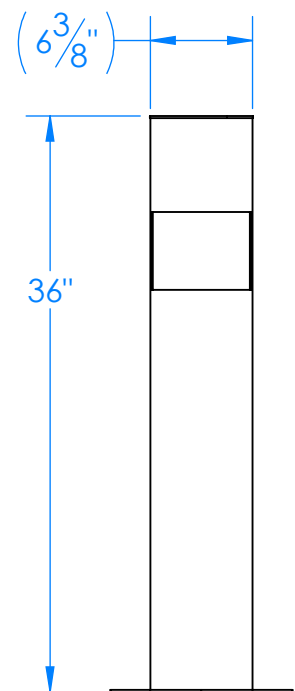


Plan View

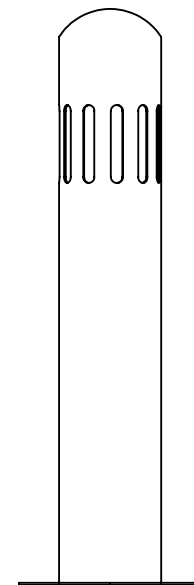


Section A-A

Bollard Cover Option

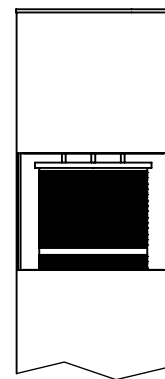


360 Degree

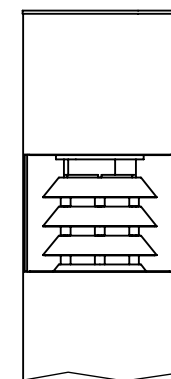


Slotted

Globe Style



Glass Refractor



Stacked Louver

SPECIFICATIONS

Bollard Material:

Internal Post: 6" Steel Tube
Bollard Cover: 12 Ga. Stainless Steel

Wall Thickness:

- 1/2" 3/4"

Bollard Cover Style:

- 360 Degree Slotted

Cap Style:

- Flat Dome

Stainless Steel Grade:

- T304 T316

Bollard Cover Surface Finish:

- #4 Brushed Finish
- Powder Coat RAL# _____
- Other: _____

Globe Style:

- Stacked Louver Glass Refractor
- Metal Halide - 70w Max. (Transformer)
- CFL - 42w Max. (Smart Tap)
- Inductional Fluorescent - 15w Max. (120v Only)
- LED 12w
 - Cool Warm

Lense Option:

- Clear Opal

Voltage:

- 120v 208v
- 240v 277v Other: _____

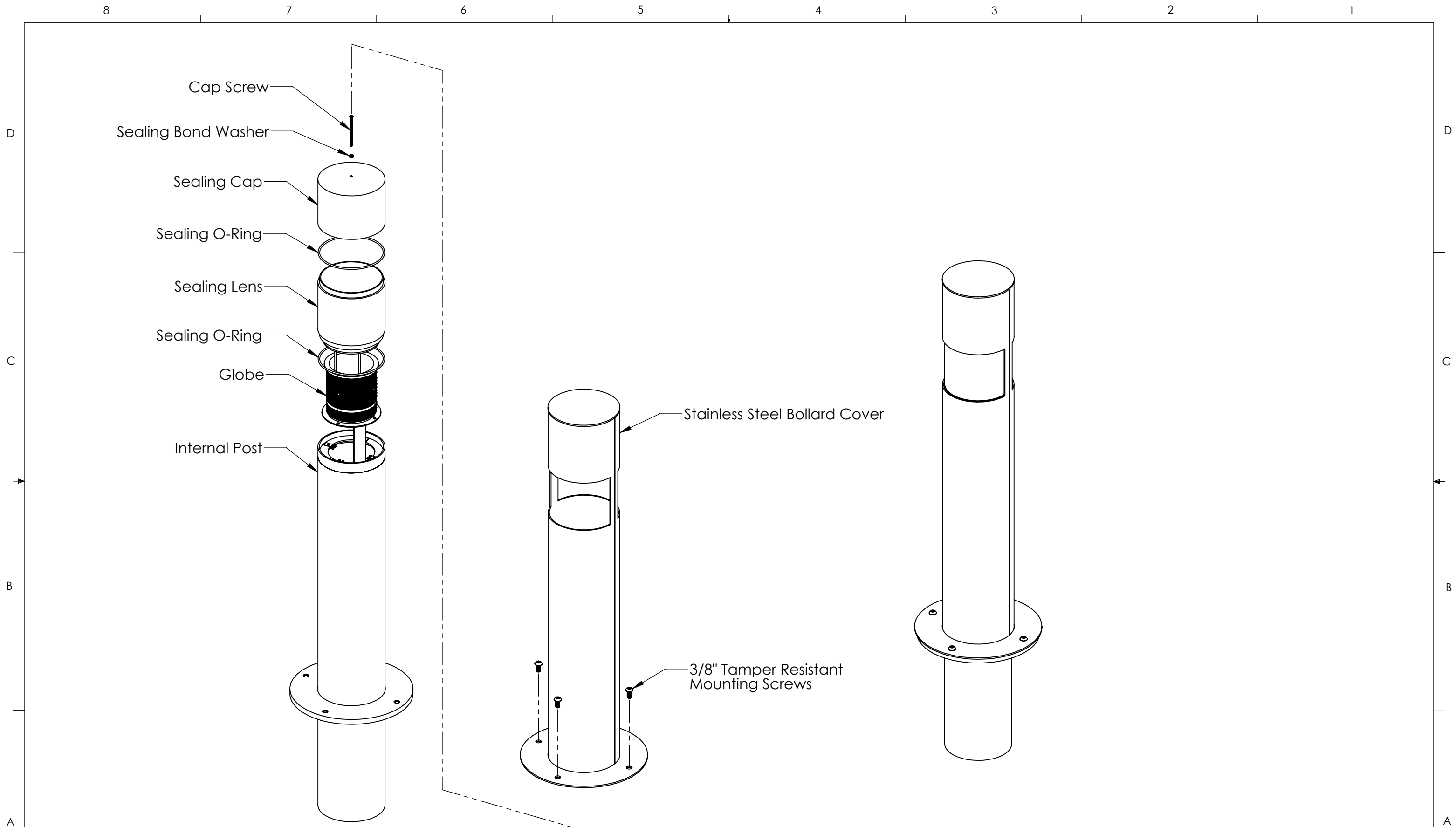
Company: _____

Project Name: _____

Signee's Name Written Clearly: _____ Date: _____

Authorized Signature: _____

SIZE B	DRAWN BY: JMG	REV:
	DRAWN DATE: 10/4/2016	SHEET: 1 OF 3



SIZE B	PRODUCED BY :	JMG	REV :	NC
	PRODUCED ON :	10/4/2016	SHEET :	2 OF 3

CALPIPE INDUSTRIES
Incorporated

19440 S. DOMINGUEZ HILLS DR.
RANCHO DOMIGUEZ, CA. 90220,USA

www.Calpipebollards.com
562.803.4388 Direct
310.885.1899 Fax

PROPRIETARY AND CONFIDENTIAL
THE INFORMATION CONTAINED IN THIS
DRAWING IS THE SOLE PROPERTY OF
CALPIPE INDUSTRIES INC. ANY
REPRODUCTION IN PART OR AS A WHOLE
WITHOUT THE WRITTEN PERMISSION OF
CALPIPE INDUSTRIES INC. IS PROHIBITED

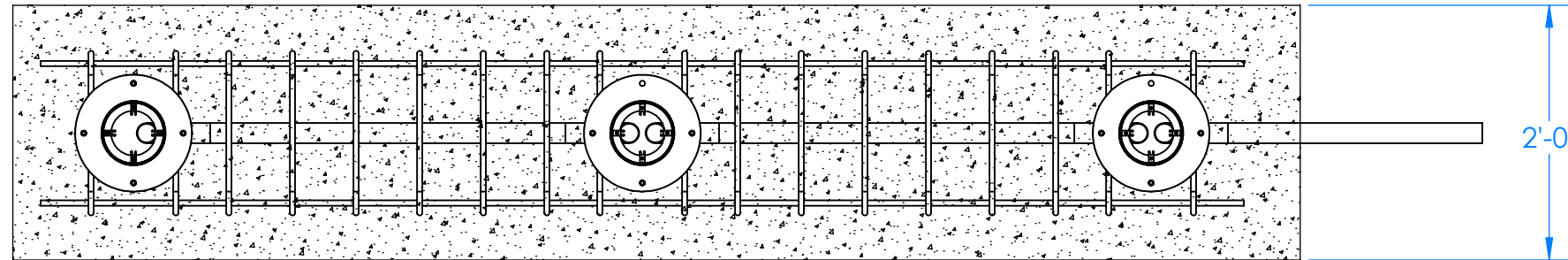
UNLESS OTHERWISE SPECIFIED:
DIMENSIONS ARE IN INCHES
TOLERANCES:
FRACTIONAL ± 1/4
ANGULAR: MACH ± 1 BEND ± 1
TWO PLACE DECIMAL THREE ± .010
PLACE DECIMAL ± .005

SSLS06XXX Exploded View

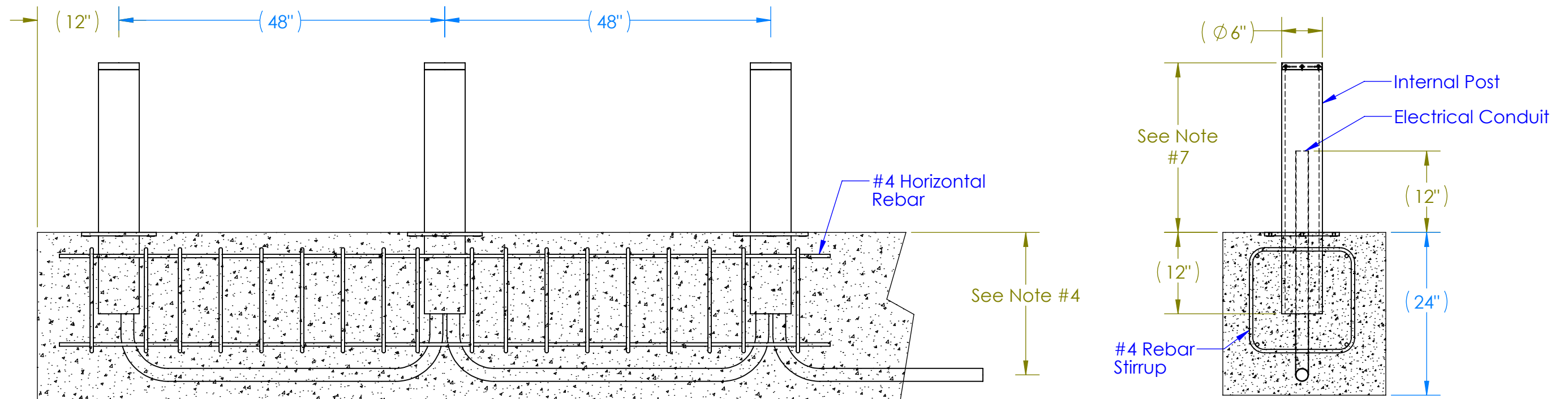
Installation Guidelines

1. Prior to install it is recommended to varyfy water table and soil conditions.
2. The footing shown is a recommended footing, engineered by others.
3. Bollard spacing should be ADA compliant.
4. Electrical conduit depth will vary according to local code. It is the responsibilty of the General Contractor to install electrical conduit according to local codes.
5. To prevent moisture from entering light assembly , it is recommended to fill post with concrete.
6. Concrete: 3500 PSI
7. Depending on height option selected on sheet #1, internal post height will vary. Refer to internal Post Height Table.

Internal Height Table	
Cover Height	Internal Post Above Grade
36"	25"
42"	31"



Plan View



Eelvation View

Elevation End View

SIZE B	PRODUCED BY :	JMG	REV :
	PRODUCED ON :	10/4/2016	SHEET : 3 of 3