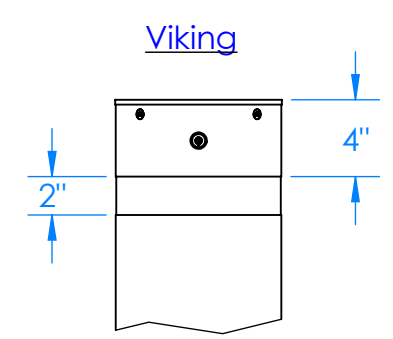
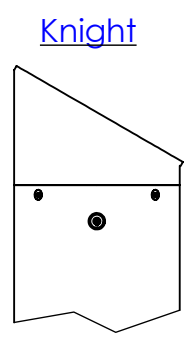
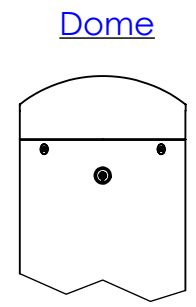
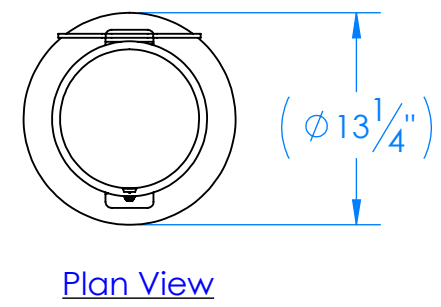


Cap Style



NOTE:

- 1.) FOOTING SHOWN IS A RECOMMENDED FOOTING, ENGINEERED BY OTHERS.
- 2.) EMBEDMENT SLEEVE IS SHOWN FOR REFERENCE ONLY. EMBEDMENT SLEEVE IS ENTERED AS A SEPERATE LINE ITEM.
- 3.) HANDLE, CHAIN EYE ORIENTATION AND HEIGHT IS DETERMINED BY THE CUSTOMER WHEN BOTH OPTIONS ARE SELECTED.

SPECIFICATIONS:

- Bollard Material : 8" Pipe (8-5/8" OD)
- IBR08040 Sch 40 ASTM A-53 Carbon Steel
 - IBR08080 Sch 40 ASTM A-53 Carbon Steel

Bollard Cap Style:

- Flat (Standard)
- Dome
- Viking
- Knight

Options:

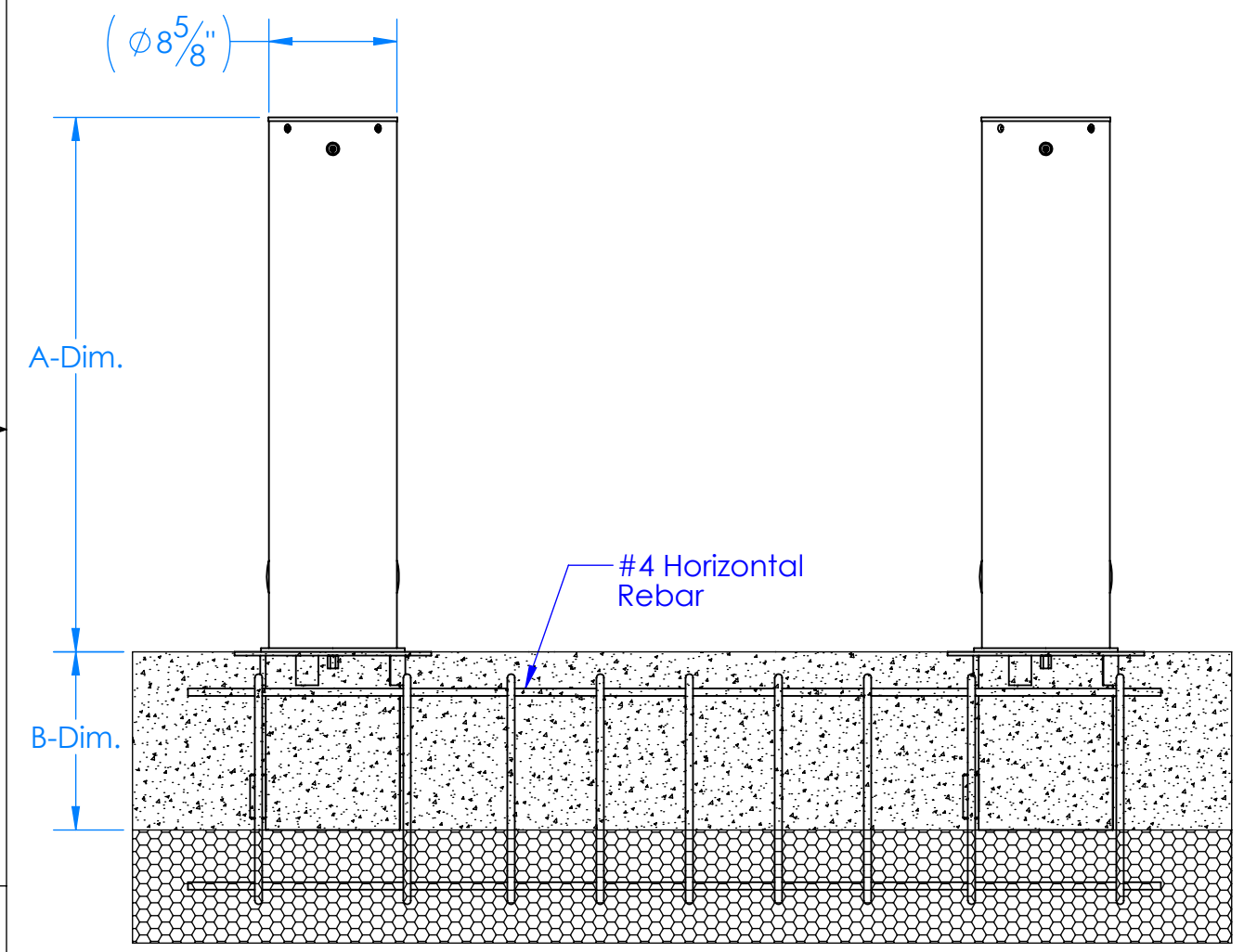
- Handle Qty. _____
- Chain Eye Qty. _____ Height _____

Finish:

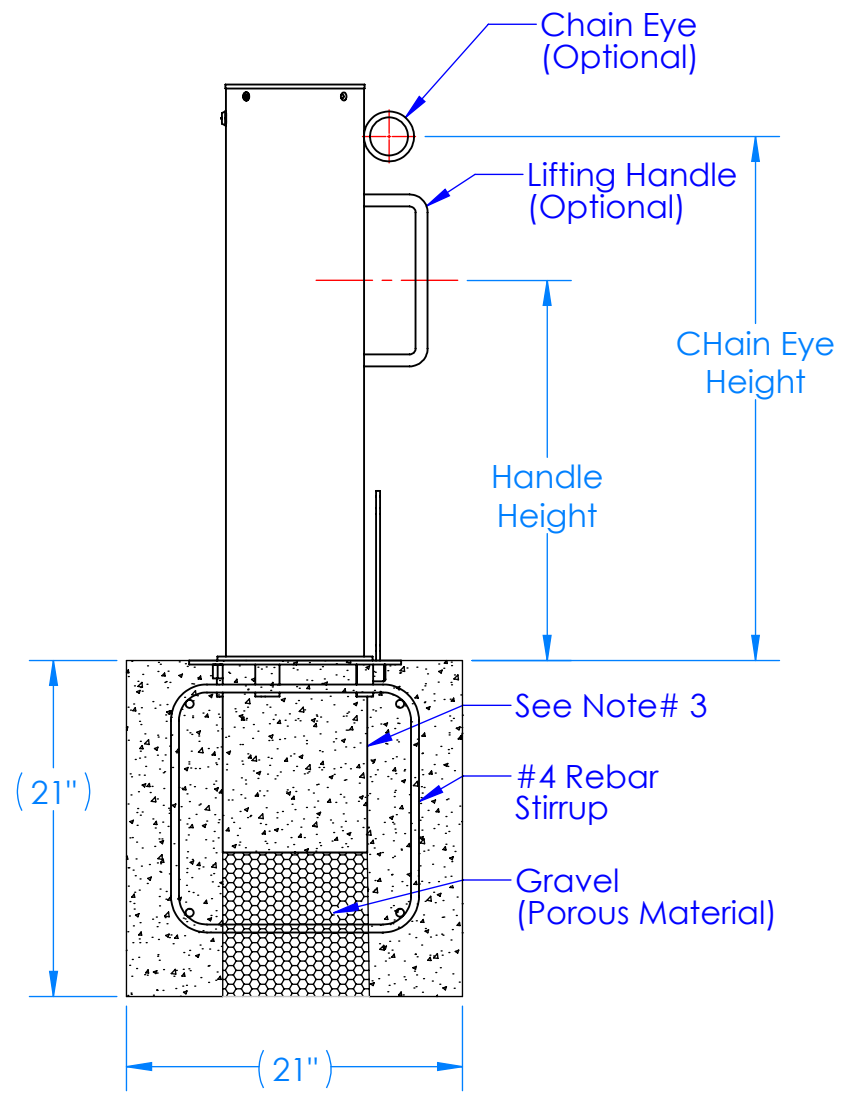
- Powder Coat RAL# _____
- Other: _____

Please Specify the Following Dimensions:

- A-Dim. _____ (Std. 36")
- B-Dim. _____ (Std. 12")



Elevation View - Foundation



Company: _____
 Project Name: _____
 Signee's Name Written Clearly: _____ Date: _____
 Authorized Signature: _____

SIZE B	DRAWN BY: JMG	REV :
	DRAWN DATE: 10/4/2016	SHEET :



19440 S. DOMINGUEZ HILLS DR.
 RANCHO DOMIGUEZ, CA. 90220,USA

www.Calpipebollards.com
 562.803.4388 Direct
 310.885.1899 Fax

PROPRIETARY AND CONFIDENTIAL
 THE INFORMATION CONTAINED IN THIS DRAWING IS THE SOLE PROPERTY OF CALPIPE INDUSTRIES INC. ANY REPRODUCTION IN PART OR AS A WHOLE WITHOUT THE WRITTEN PERMISSION OF CALPIPE INDUSTRIES INC. IS PROHIBITED

UNLESS OTHERWISE SPECIFIED:
 DIMENSIONS ARE IN INCHES
 TOLERANCES:
 FRACTIONAL ± 1/4
 ANGULAR: MACH ± 1 BEND ± 1
 TWO PLACE DECIMAL THREE ± 0.10
 PLACE DECIMAL ± 0.005

IBR08XXX
8" INTERNAL LOCKING REMOVABLE BOLLARD