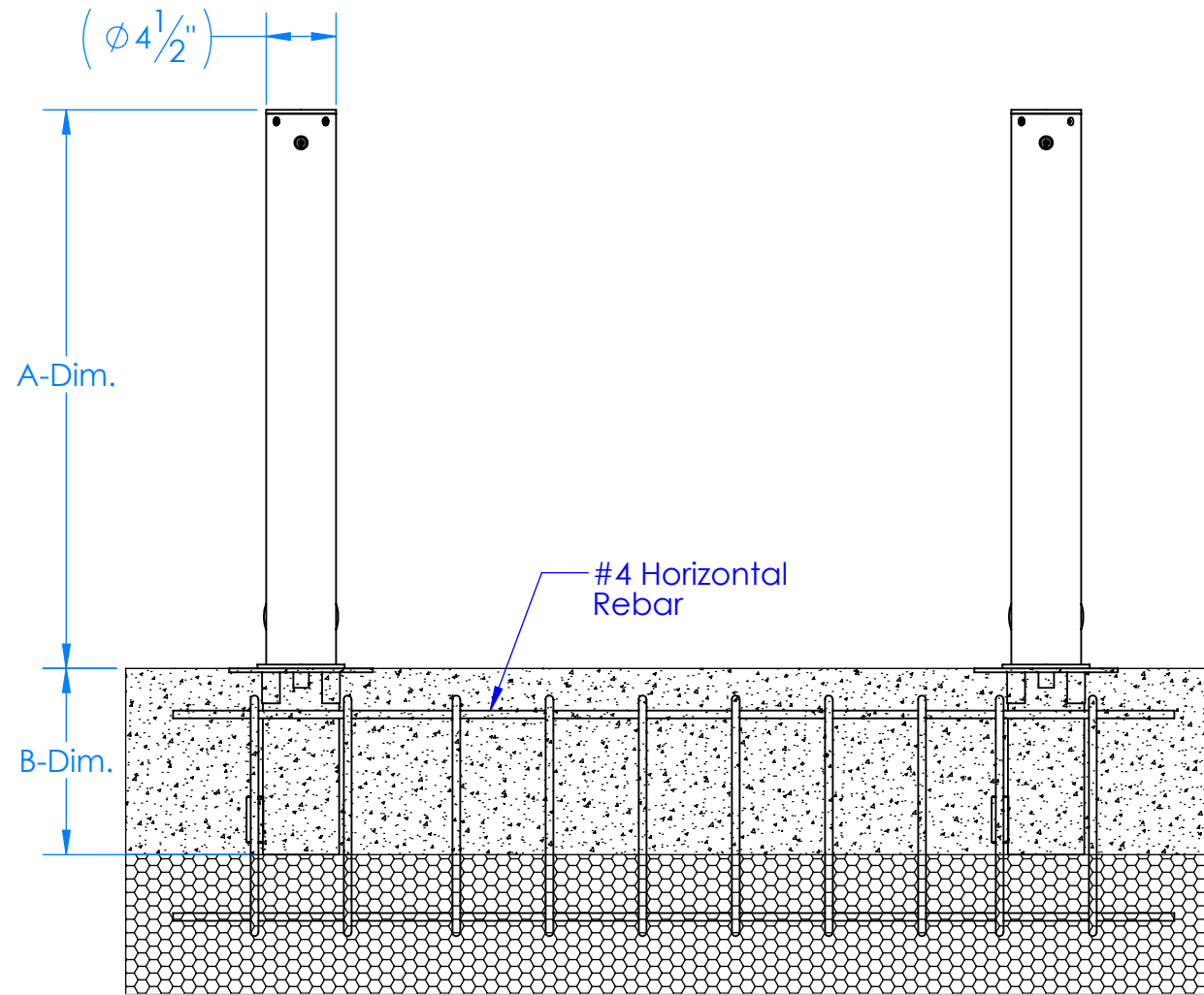
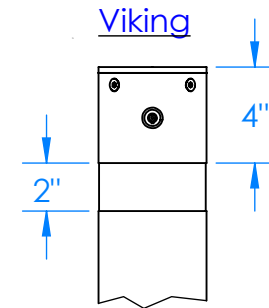
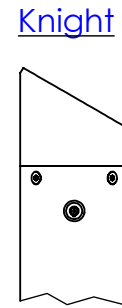
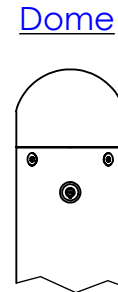
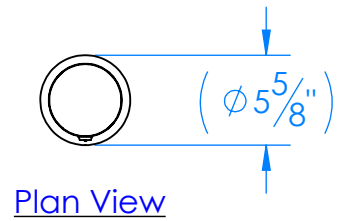


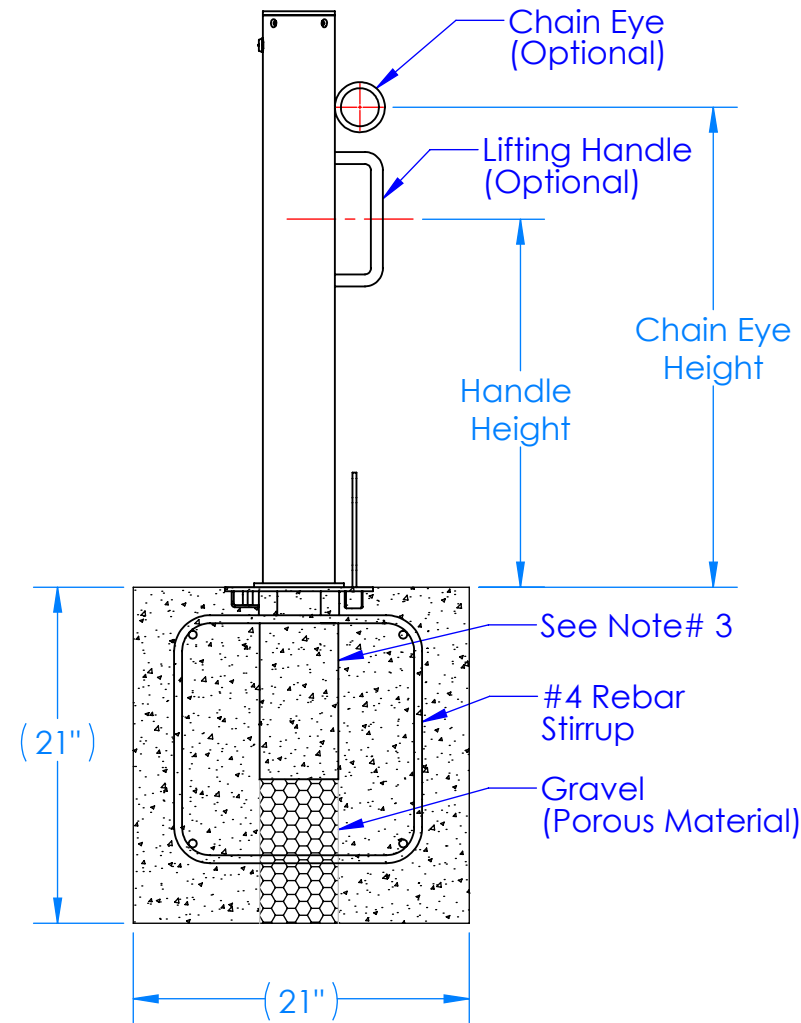
# Cap Style

**NOTE:**

- 1.) FOOTING SHOWN IS A RECOMMENDED FOOTING, ENGINEERED BY OTHERS.
- 2.) EMBEDMENT SLEEVE IS SHOWN FOR REFERENCE ONLY. EMBEDMENT SLEEVE IS ENTERED AS A SEPERATE LINE ITEM.
- 3.) HANDLE, CHAIN EYE ORIENTATION AND HEIGHT IS DETERMINED BY THE CUSTOMER WHEN BOTH OPTIONS ARE SELECTED.



Elevation View - Foundation



End View - Elevation

**SPECIFICATIONS:**

Bollard Material : 4" Pipe (4-1/2" OD)

- IBR04040 Sch 40 ASTM A-53 Carbon Steel
- IBR04080 Sch 40 ASTM A-53 Carbon Steel

**Bollard Cap Style:**

- Flat (Standard)
- Viking
- Dome
- Knight

**Options:**

- Handle Qty. \_\_\_\_\_
- Chain Eye Qty. \_\_\_\_\_ Height \_\_\_\_\_

**Finish:**

- Powder Coat RAL# \_\_\_\_\_
- Other: \_\_\_\_\_

Please Specify the Following Dimensions:

- A-Dim. \_\_\_\_\_ (Std. 36")
- B-Dim. \_\_\_\_\_ (Std. 12")

Company: \_\_\_\_\_

Project Name: \_\_\_\_\_

Signee's Name Written Clearly: \_\_\_\_\_ Date: \_\_\_\_\_

Authorized Signature: \_\_\_\_\_

<b>SIZE B</b>	<b>DRAWN BY: JMG</b>	<b>REV :</b>
	<b>DRAWN DATE: 8/2/2016</b>	<b>SHEET :</b>

**CALPIPE INDUSTRIES**  
Incorporated

19440 S. DOMINGUEZ HILLS DR.  
RANCHO DOMIGUEZ, CA. 90220, USA

www.CalPipeBollards.com  
562.803.4388 Direct  
310.885.1899 Fax

**PROPRIETARY AND CONFIDENTIAL**  
THE INFORMATION CONTAINED IN THIS DRAWING IS THE SOLE PROPERTY OF CALPIPE INDUSTRIES INC. ANY REPRODUCTION IN PART OR AS A WHOLE WITHOUT THE WRITTEN PERMISSION OF CALPIPE INDUSTRIES INC. IS PROHIBITED

**UNLESS OTHERWISE SPECIFIED:**  
DIMENSIONS ARE IN INCHES  
TOLERANCES:  
FRACTIONAL  $\pm 1/4$   
ANGULAR: MACH  $\pm 1$  BEND  $\pm 1$   
TWO PLACE DECIMAL THREE  $\pm 0.010$   
PLACE DECIMAL  $\pm 0.005$

**IBR04XXX**  
**4" INTERNAL LOCKING REMOVABLE BOLLARD**