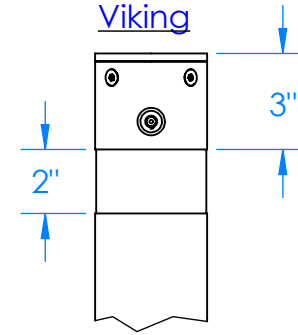
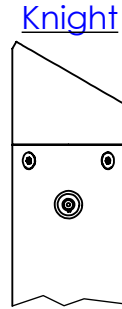
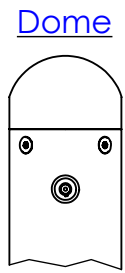
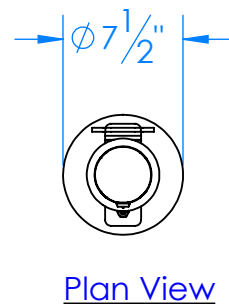


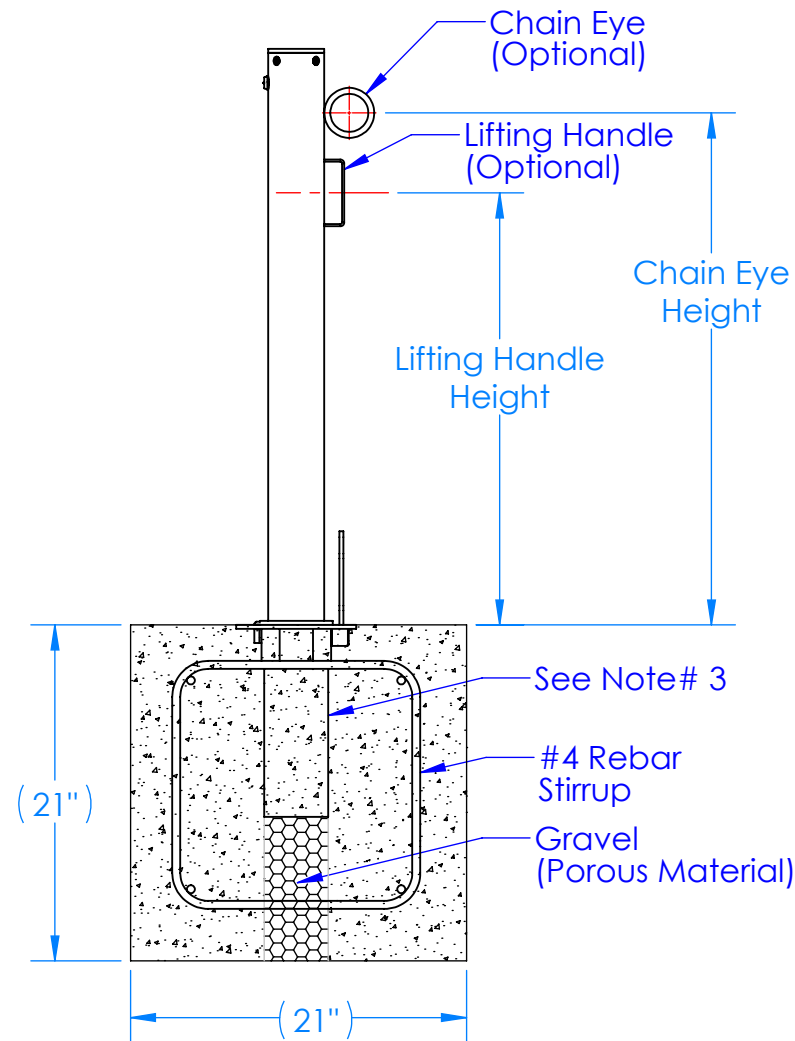
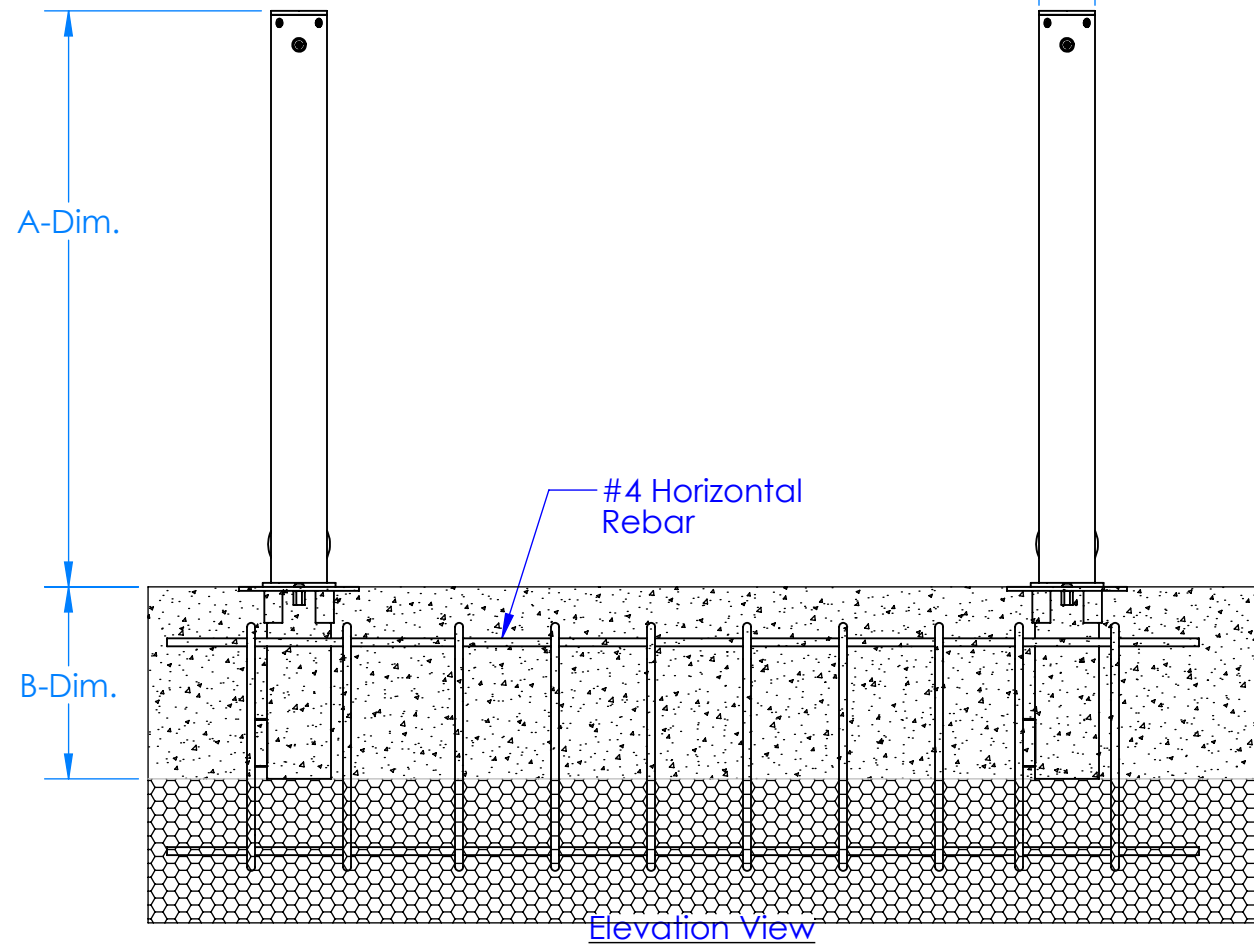
Cap Style

NOTE:

- 1.) FOOTING SHOWN IS A RECOMMENDED FOOTING, ENGINEERED BY OTHERS.
- 2.) EMBEDMENT SLEEVE IS SHOWN FOR REFERENCE ONLY. EMBEDMENT SLEEVE WILL BE ENTERED AS A SEPERATE LINE ITEM.
- 3.) HANDLE, CHAIN EYE ORIENTATION AND HEIGHT IS DETERMINED BY THE CUSTOMER WHEN BOTH OPTIONS ARE SELECTED.



($\phi 3\frac{1}{2}$ ")



SPECIFICATIONS:

Bollard Material : 3" Pipe (3-1/2" OD)

- IBR03040 Sch 40 ASTM A-53 Carbon Steel
- IBR03080 Sch 40 ASTM A-53 Carbon Steel

Bollard Cap Style:

- Flat (Standard)
- Viking
- Dome
- Knight

Options:

- Handle Qty. _____
- Chain Eye Qty. _____ Height _____

Finish:

- Powder Coat RAL# _____
- Other: _____

Please Specify the Following Dimensions:

- A-Dim. _____ (Std. 36")
- B-Dim. _____ (Std. 12")

Company: _____

Project Name: _____

Signee's Name Written Clearly: _____ Date: _____

Authorized Signature: _____

SIZE B	DRAWN BY: JMG	REV :
	DRAWN DATE: 7/29/16	SHEET :



19440 S. DOMINGUEZ HILLS DR.
RANCHO DOMIGUEZ, CA. 90220,USA

www.CalPipeBollards.com
562.803.4388 Direct
310.885.1899 Fax

PROPRIETARY AND CONFIDENTIAL
THE INFORMATION CONTAINED IN THIS DRAWING IS THE SOLE PROPERTY OF CALPIPE INDUSTRIES INC. ANY REPRODUCTION IN PART OR AS A WHOLE WITHOUT THE WRITTEN PERMISSION OF CALPIPE INDUSTRIES INC. IS PROHIBITED

UNLESS OTHERWISE SPECIFIED:
DIMENSIONS ARE IN INCHES
TOLERANCES:
FRACTIONAL $\pm 1/4$
ANGULAR: MACH ± 1 BEND ± 1
TWO PLACE DECIMAL THREE ± 0.10
PLACE DECIMAL ± 0.05

IBR03XXX
3" INTERNAL LOCKING REMOVABLE BOLLARD