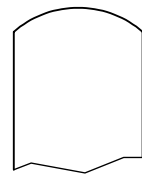


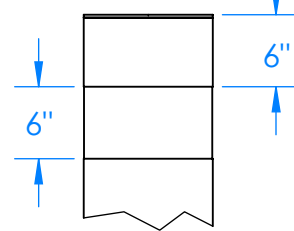
PLAN VIEW

DOME

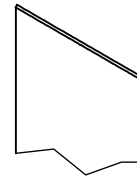


CAP STYLE

VIKING



KNIGHT



NOTE:

- 1.) PADLOCK TO SECURE BOLLARD SHALL BE PROVIDED BY OTHERS.
- 2.) FOOTING SHOWN IS A RECOMMENDED FOOTING, ENGINEERED BY OTHERS.
- 3.) EMBEDMENT SLEEVE IS SHOWN FOR REFERENCE ONLY. EMBEDMENT SLEEVE WILL BE ENTERED AS A SEPERATE LINE ITEM. EMBEDMENT SLEEVE IS FABRICATED FROM T304 STAINLESS STEEL.

SPECIFICATION:

Bollard Material (10" Pipe Size) 10-3/4"OD:

- IBP10040 Sch 40 ASTM A-53 Carbon Steel
- IBP10080 Sch 80 ASTM A-53 Carbon Steel

Bollard Cap Style:

- Flat (Standard)
- Dome
- Viking
- Knight

Options:

- Handle Qty. _____
- Chain Eye Qty. _____ C-Dim. _____

Bollard Finish:

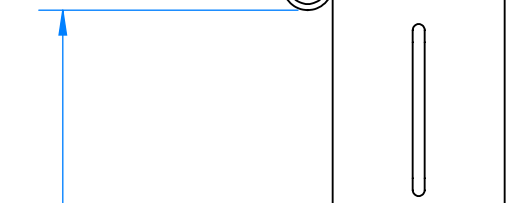
- Powdercoat RAL # : _____
- Other : _____

Please Specify the Following Dimensions:

A-Dim. _____ (Std. 36")

B-Dim. _____ (Std. 18")

Chain-Eye (Optional)



C-Dim.

(2'-6")

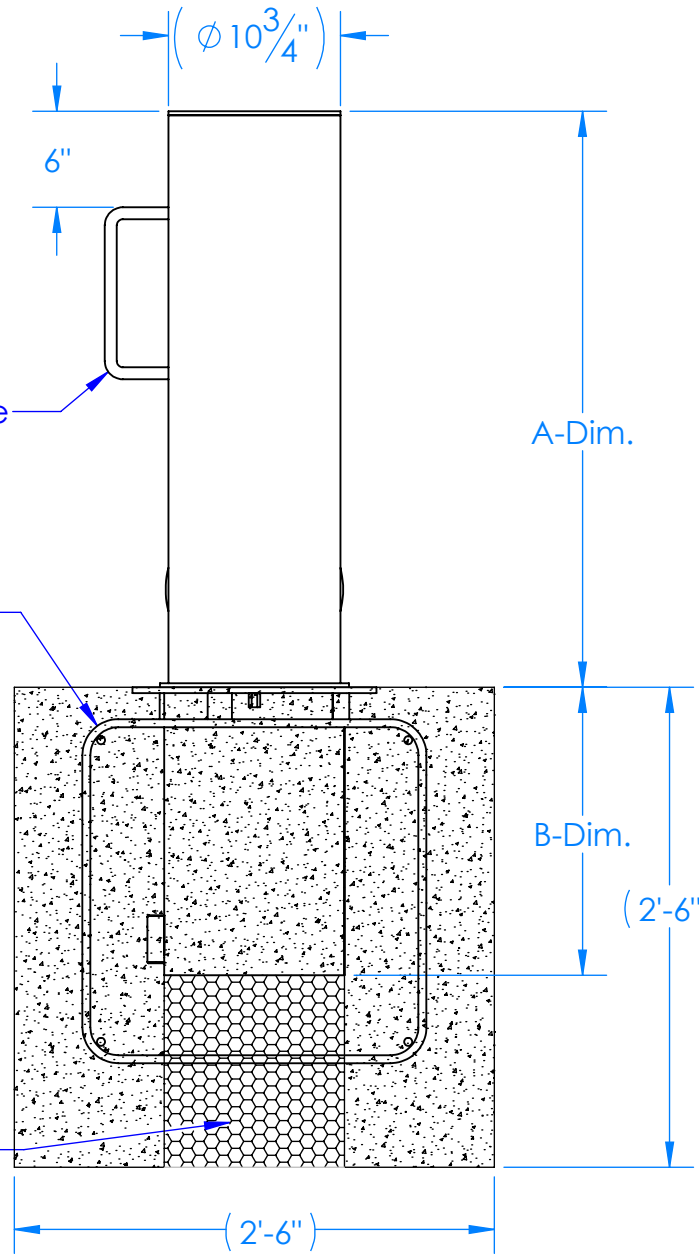
ELEVATION - VIEW

ELEVATION - VIEW

Lifting Handle (Optional)

#4 Rebar Strirrups

Porous Material (Pea Gravel)



END VIEW

Company: _____

Project Name: _____

Signee's Name Written Clearly: _____ Date: _____

Authorized Signature: _____



19440 S. DOMINGUEZ HILLS DR.
RANCHO DOMIGUEZ, CA. 90220,USA

www.CalPipeBollards.com
562.803.4388 Direct
310.885.1899 Fax

PROPRIETARY AND CONFIDENTIAL
THE INFORMATION CONTAINED IN THIS DRAWING IS THE SOLE PROPERTY OF CALPIPE INDUSTRIES INC. ANY REPRODUCTION IN PART OR AS A WHOLE WITHOUT THE WRITTEN PERMISSION OF CALPIPE INDUSTRIES INC. IS PROHIBITED

UNLESS OTHERWISE SPECIFIED:
DIMENSIONS ARE IN INCHES
TOLERANCES:
FRACTIONAL ± 1/4
ANGULAR: MACH ± 1 BEND ± 1
TWO PLACE DECIMAL THREE ± 0.01
PLACE DECIMAL ± 0.05

SIZE B	DRAWN BY: JMG	REV:
	DRAWN DATE: 11/11/15	SHEET : 1 of 1

IBP10XXX
12" PADLOCKING REMOVABLE BOLLARD