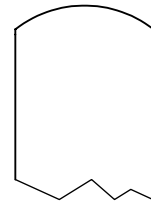


NOTE:

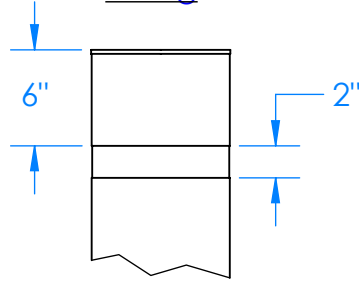
- 1.) PADLOCK TO SECURE BOLLARD SHALL BE PROVIDED BY OTHERS.
- 2.) FOOTING SHOWN IS A RECOMMENDED FOOTING, ENGINEERED BY OTHERS.
- 3.) EMBEDMENT SLEEVE IS SHOWN FOR REFERENCE ONLY. EMBEDMENT SLEEVE WILL BE ENTERED AS A SEPERATE LINE ITEM. EMBEDMENT SLEEVE IS FABRICATED FROM T304 STAINLESS STEEL.

Cap Styles

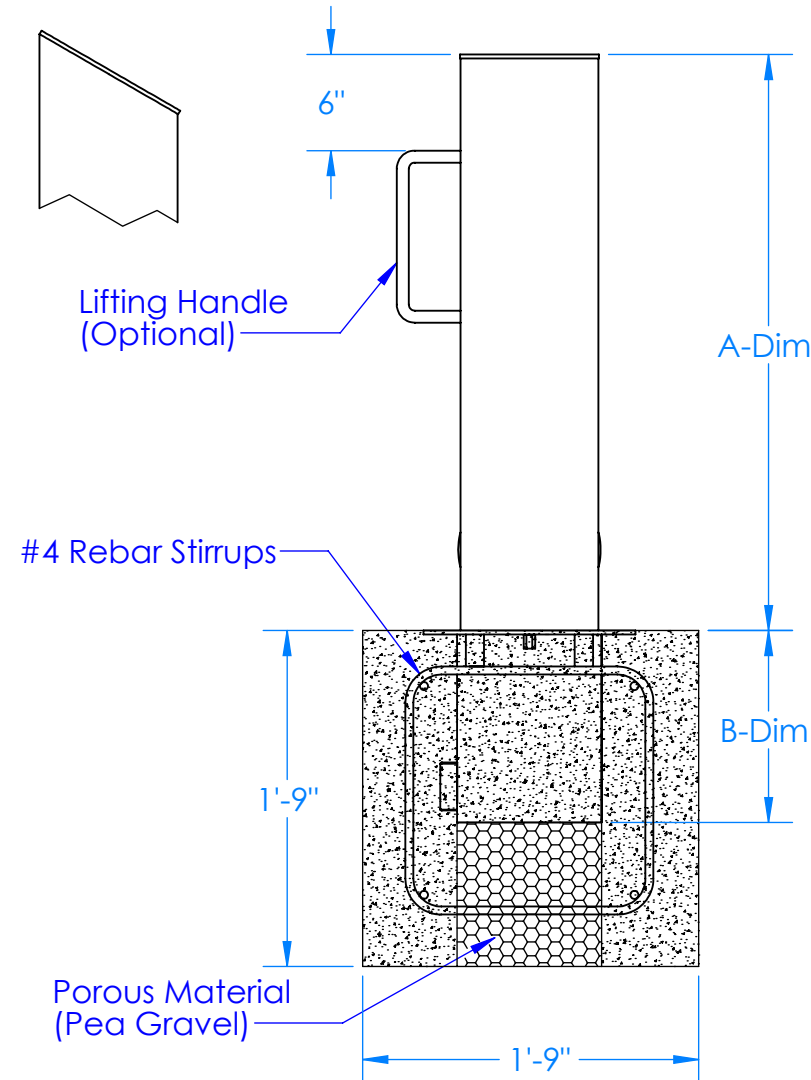
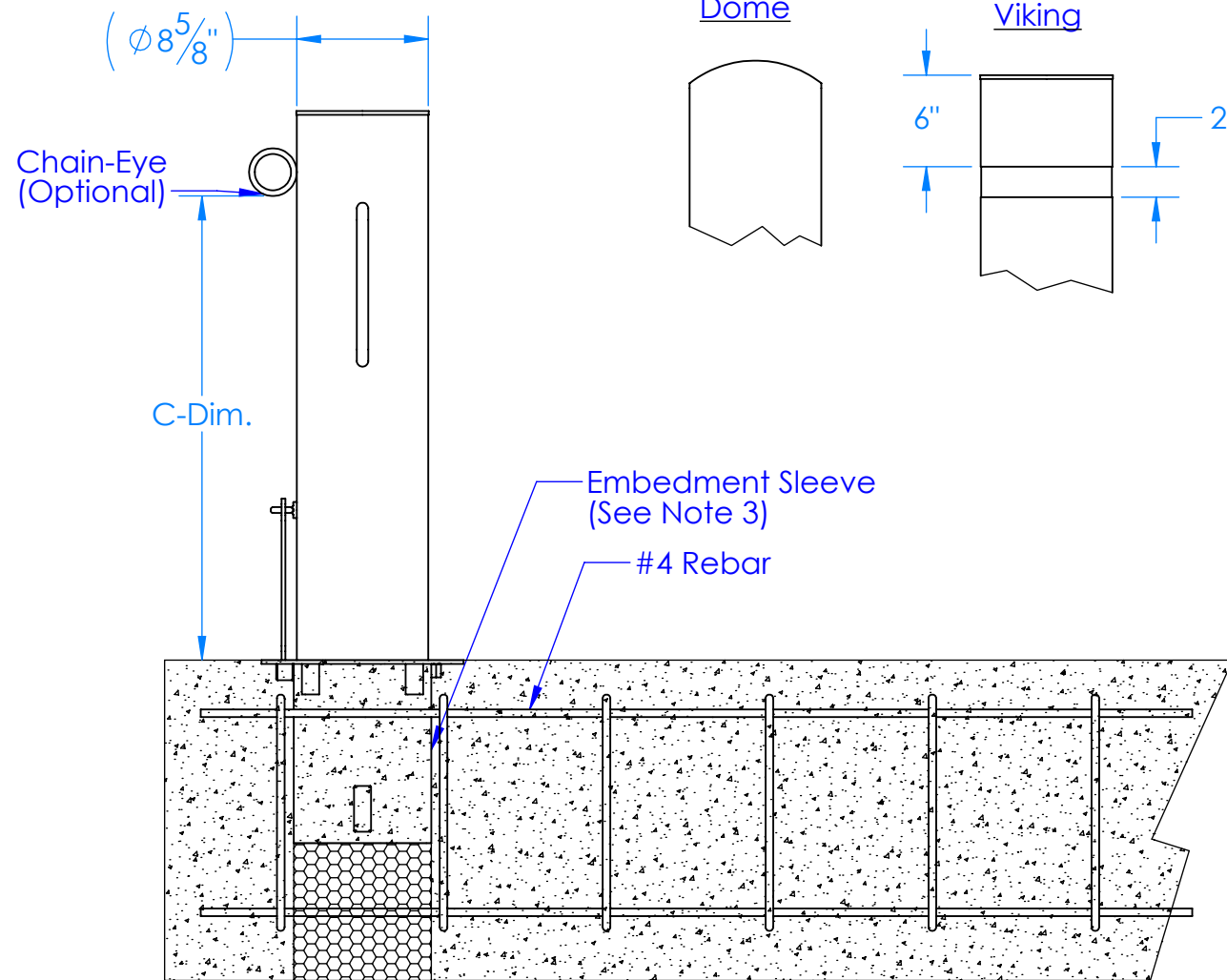
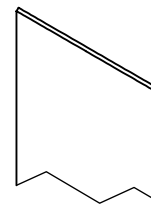
Dome



Viking



Knight



SPECIFICATION:

Bollard Material (8" Pipe Size) 8-5/8" OD:

- IBP08040 Sch 40 ASTM A-53 Carbon Steel
- IBP08080 Sch 80 ASTM A-53 Carbon Steel

Bollard Cap Style:

- Flat (Standard)
- Viking
- Dome
- Knight

Options:

- Handle Qty. _____
- Chain Eye Qty. _____ C-Dim. _____

Bollard Finish:

- Powdercoat RAL # : _____
- Other : _____

Please Specify the Following Dimensions:

A-Dim. _____ (Std. 36")

B-Dim. _____ (Std. 12")

End View - Foundation

Company: _____

Project Name: _____

Signee's Name Written Clearly: _____ Date: _____

Authorized Signature: _____

SIZE B	DRAWN BY: JMG	REV :
	DRAWN DATE: 1/21/16	SHEET :