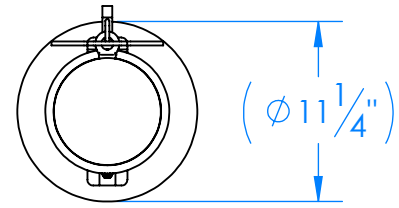
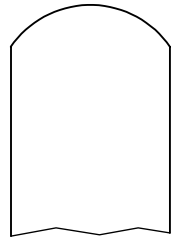


# Cap Style

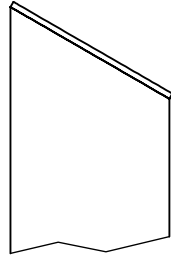


Plan View

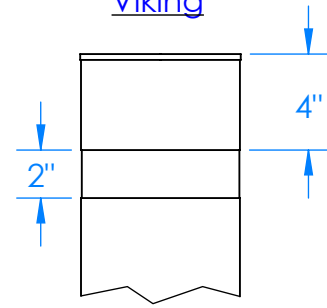
Dome



Knight



Viking



**NOTE:**

- 1.) FOOTING SHOWN IS A RECOMMENDED FOOTING, ENGINEERED BY OTHERS.
- 2.) EMBEDMENT SLEEVE IS SHOWN FOR REFERENCE ONLY. EMBEDMENT SLEEVE WILL BE ENTERED AS A SEPERATE LINE ITEM.
- 3.) HANDLE & CHAIN EYE ORIENTATION/ HEIGHT SHALL BE DETERMINED BY THE CUSTOMER WHEN BOTH OPTIONS ARE SELECTED.

**SPECIFICATIONS:**

Bollard Material : 6" Pipe (6-5/8" OD)

- IBP06040 Sch 40 ASTM A-53 Carbon Steel
- IBP06080 Sch 80 ASTM A-53 Carbon Steel

Bollard Cap Style:

- Flat (Standard)
- Viking
- Dome
- Knight

Options:

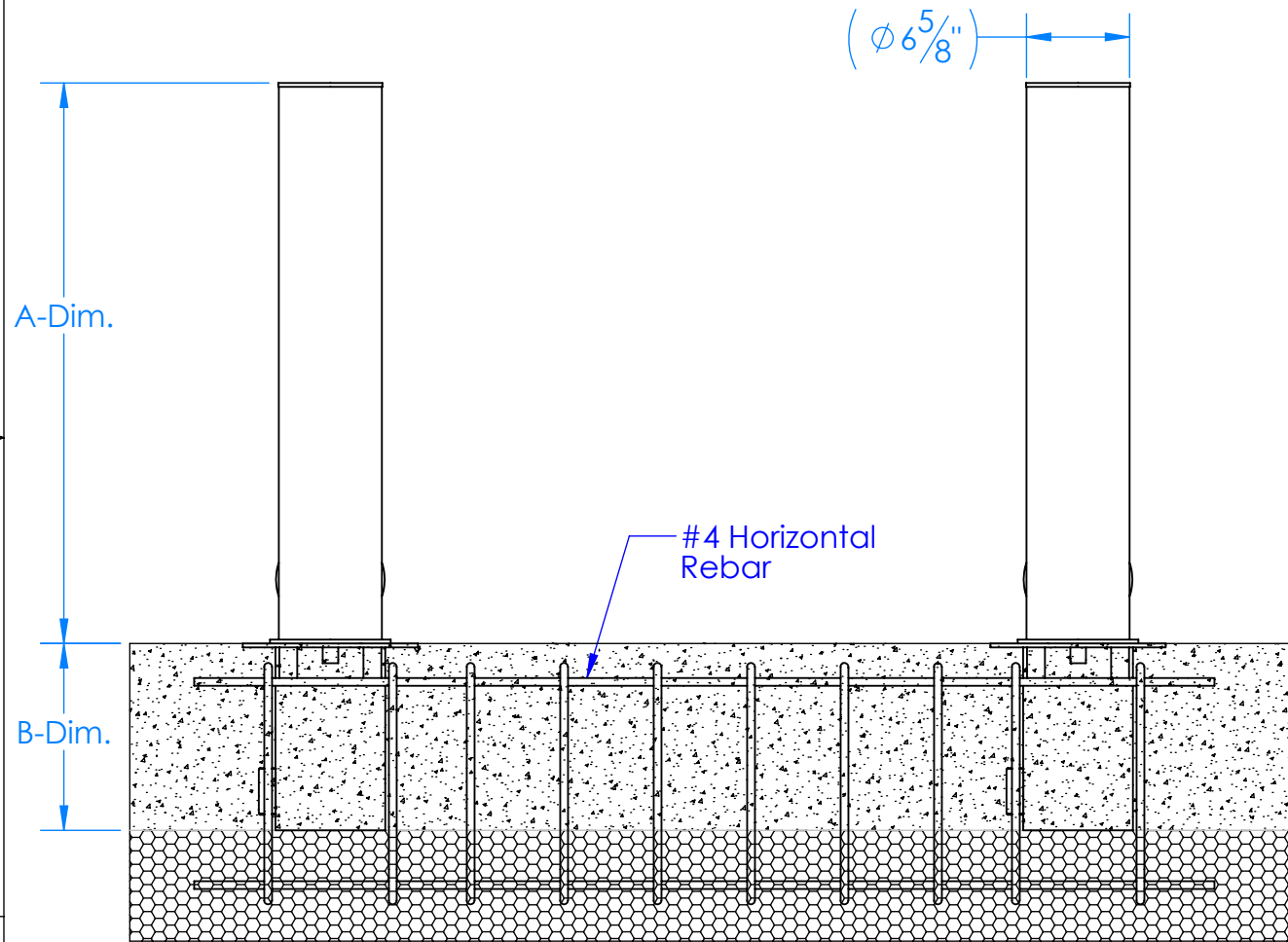
- Handle Qty. \_\_\_\_\_ Height \_\_\_\_\_
- Chain Eye Qty. \_\_\_\_\_ Height \_\_\_\_\_

Finish:

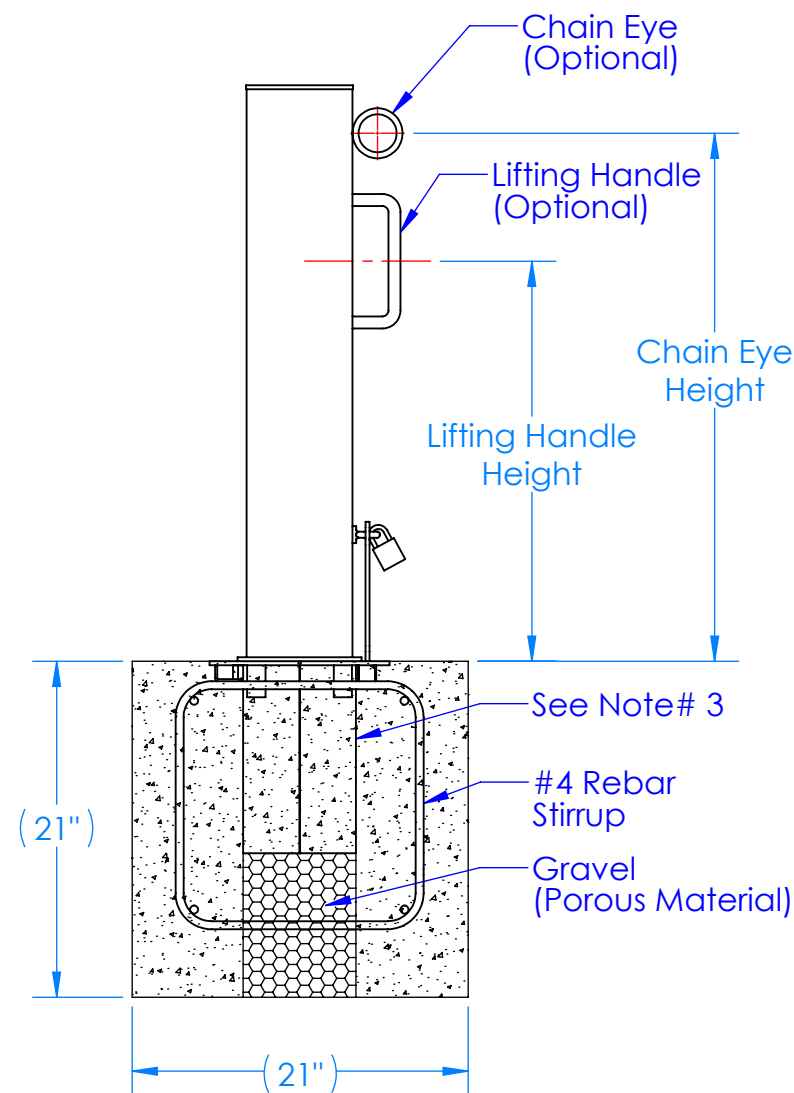
- Powder Coat RAL# \_\_\_\_\_
- Other: \_\_\_\_\_

Please Specify the Following Dimensions:

- A-Dim. \_\_\_\_\_ (Std. 36")
- B-Dim. \_\_\_\_\_ (Std. 12")



Elevation View



Side Elevation View

Company: \_\_\_\_\_

Project Name: \_\_\_\_\_

Signee's Name Written Clearly: \_\_\_\_\_ Date: \_\_\_\_\_

Authorized Signature: \_\_\_\_\_

<b>SIZE</b> <b>B</b>	<b>DRAWN BY: JMG</b>	<b>REV :</b>
	<b>DRAWN DATE: 11/9/16</b>	<b>SHEET :</b>



19440 S. DOMINGUEZ HILLS DR.  
RANCHO DOMIGUEZ, CA. 90220,USA

www.CalPipeBollards.com  
562.803.4388 Direct  
310.885.1899 Fax

**PROPRIETARY AND CONFIDENTIAL**  
THE INFORMATION CONTAINED IN THIS DRAWING IS THE SOLE PROPERTY OF CALPIPE INDUSTRIES INC. ANY REPRODUCTION IN PART OR AS A WHOLE WITHOUT THE WRITTEN PERMISSION OF CALPIPE INDUSTRIES INC. IS PROHIBITED

**UNLESS OTHERWISE SPECIFIED:**  
DIMENSIONS ARE IN INCHES  
TOLERANCES:  
FRACTIONAL  $\pm 1/4$   
ANGULAR: MACH  $\pm 1$  BEND  $\pm 1$   
TWO PLACE DECIMAL THREE  $\pm 0.010$   
PLACE DECIMAL  $\pm 0.005$

**IBP06XXX**  
**6" PADLOCKING REMOVABLE BOLLARD**