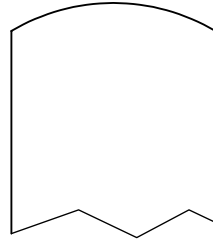
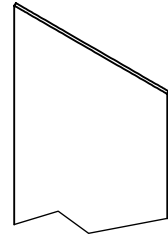


# Cap Style

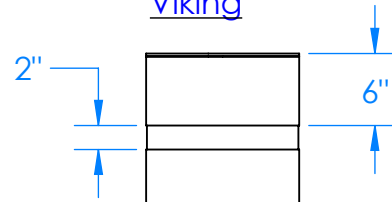
Dome



Knight



Viking



## SPECIFICATION:

Bollard Material: 12" Pipe (12-3/4" OD)

- IBF12040 Sch 40 ASTM A-53 Carbon Steel
- IBF12080 Sch 80 ASTM A-53 Carbon Steel

### Bollard Cap Style:

- Flat (Standard)
- Viking
- Dome
- Knight

### Options:

Chain Eye Qty. \_\_\_\_\_ Height: \_\_\_\_\_

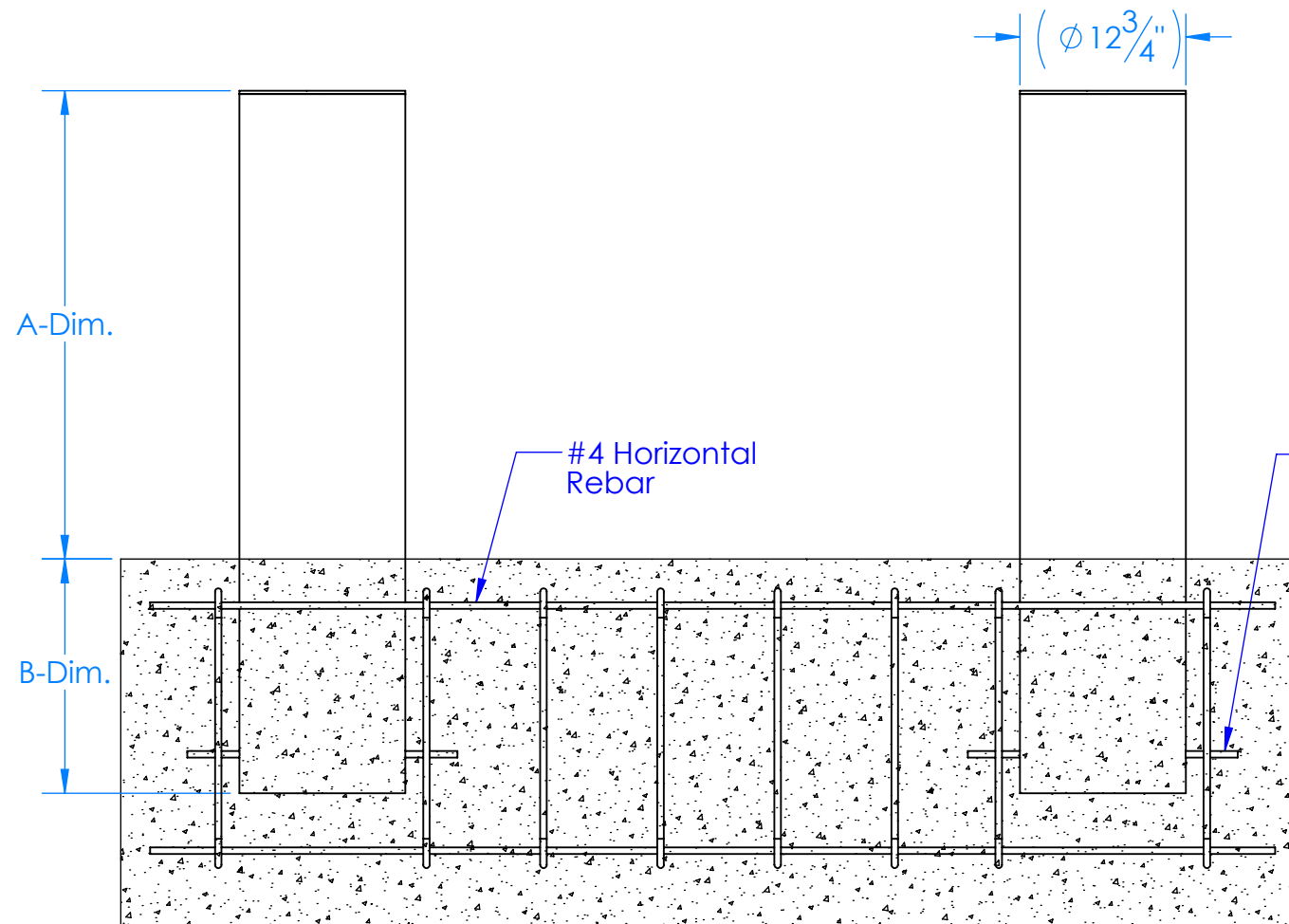
### Carbon Steel Finish:

- Powdercoat RAL # : \_\_\_\_\_
- Other : \_\_\_\_\_

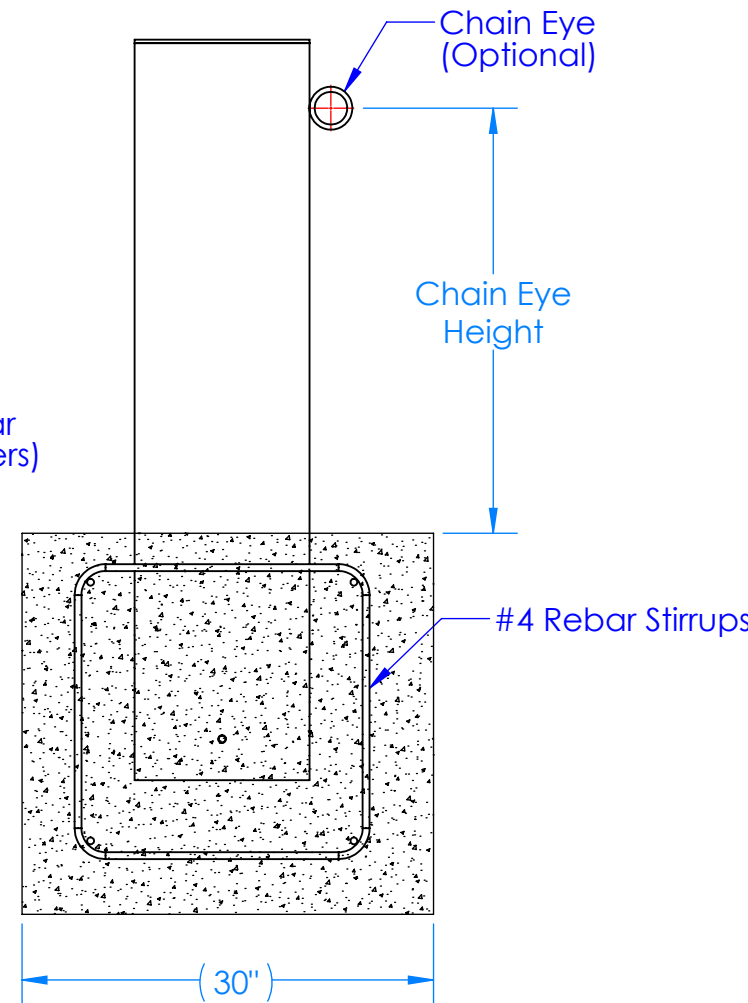
### Please Specify the Following Dimensions:

A-Dim. \_\_\_\_\_ (Std. 36")

B-Dim. \_\_\_\_\_ (Std. 18" Embedment Depth)



Elevation View



Side Elevation View

Company: \_\_\_\_\_

Project Name: \_\_\_\_\_

Signee's Name Written Clearly: \_\_\_\_\_ Date: \_\_\_\_\_

Authorized Signature: \_\_\_\_\_

<b>SIZE B</b>	<b>DRAWN BY: JMG</b>	<b>REV :</b>
	<b>DRAWN DATE: 7/28/16</b>	<b>SHEET :</b>

**CALPIPE INDUSTRIES**  
Incorporated

19440 S. DOMINGUEZ HILLS DR.  
RANCHO DOMIGUEZ, CA. 90220, USA

www.CalPipeBollards.com  
562.803.4388 Direct  
310.885.1899 Fax

PROPRIETARY AND CONFIDENTIAL  
THE INFORMATION CONTAINED IN THIS  
DRAWING IS THE SOLE PROPERTY OF  
CALPIPE INDUSTRIES INC. ANY  
REPRODUCTION IN PART OR AS A WHOLE  
WITHOUT THE WRITTEN PERMISSION OF  
CALPIPE INDUSTRIES INC. IS PROHIBITED

UNLESS OTHERWISE SPECIFIED:  
DIMENSIONS ARE IN INCHES  
TOLERANCES:  
FRACTIONAL ± 1/4  
ANGULAR: MACH ± 1 BEND ± 1  
TWO PLACE DECIMAL THREE ± 0.010  
PLACE DECIMAL ± 0.005

**IBF12XXX**  
**12" STEEL FIXED BOLLARD**