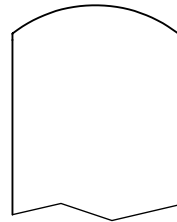
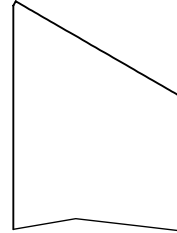


Cap Style

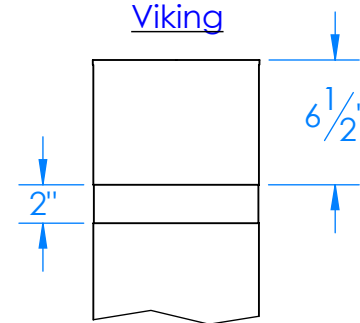
Dome



Knight



Viking



SPECIFICATION:

Bollard Material: 8" Pipe (8-5/8" OD)

- IBF08040 Sch 40 ASTM A-53 Carbon Steel
- IBF08080 Sch 80 ASTM A-53 Carbon Steel

Bollard Cap Style:

- Flat (Standard)
- Viking
- Dome
- Knight

Options:

Chain Eye Qty. _____ Height: _____

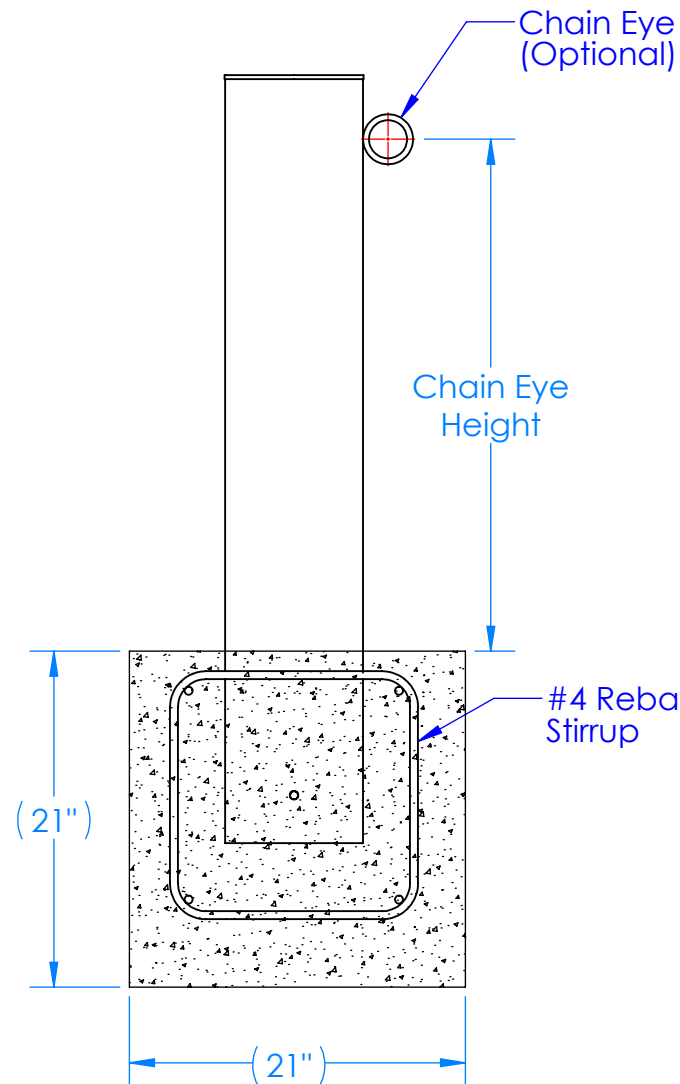
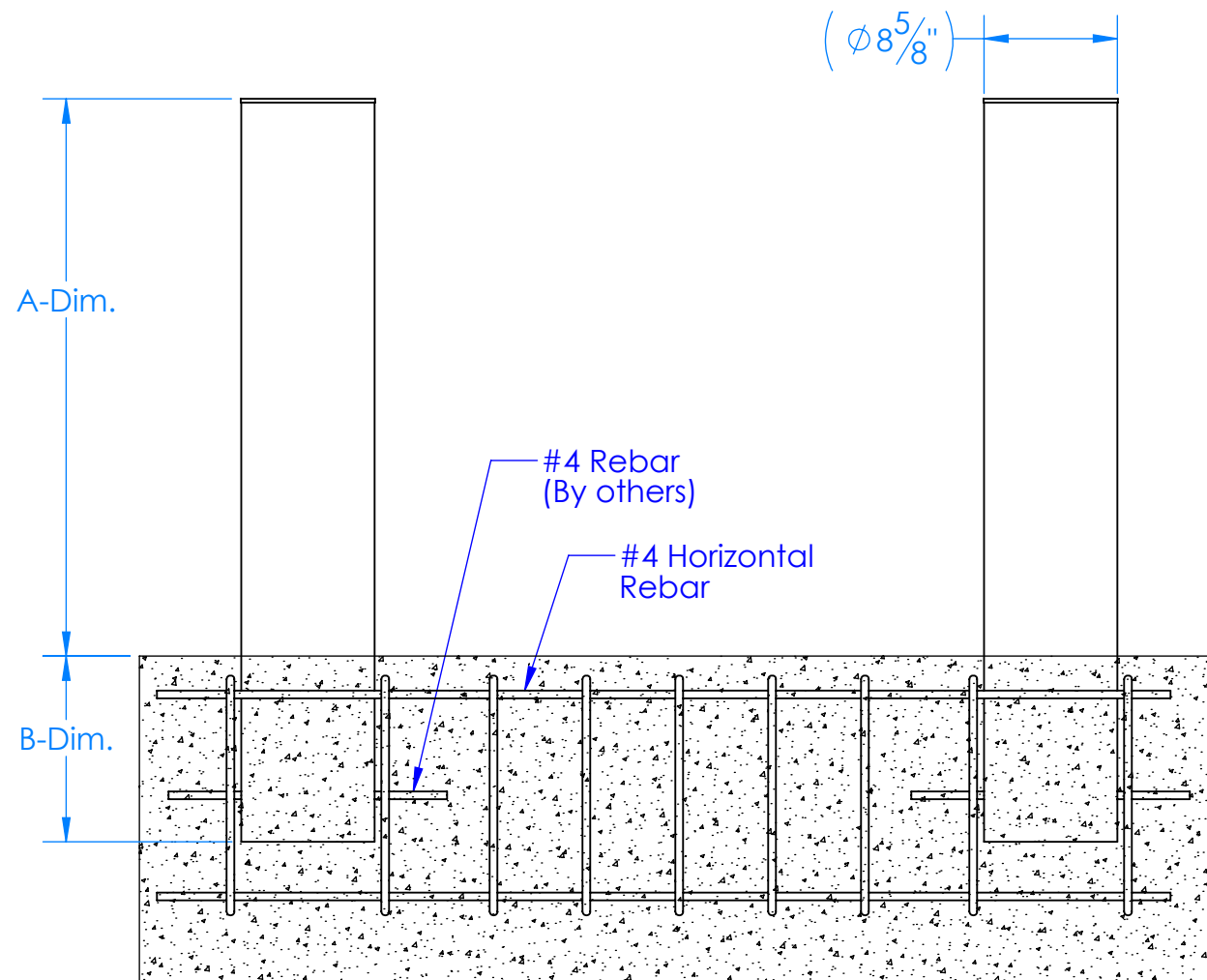
Carbon Steel Finish:

- Powdercoat RAL # : _____
- Other : _____

Please Specify the Following Dimensions:

A-Dim. _____ (Std. 36")

B-Dim. _____ (Std. 12" Embedment Depth)



Company: _____

Project Name: _____

Signee's Name Written Clearly: _____ Date: _____

Authorized Signature: _____

SIZE B	DRAWN BY: JMG	REV :
	DRAWN DATE: 8/8/2016	SHEET :

CALPIPE INDUSTRIES
Incorporated

19440 S. DOMINGUEZ HILLS DR.
RANCHO DOMIGUEZ, CA. 90220, USA

www.Calpipebollards.com
562.803.4388 Direct
310.885.1899 Fax

PROPRIETARY AND CONFIDENTIAL
THE INFORMATION CONTAINED IN THIS DRAWING IS THE SOLE PROPERTY OF CALPIPE INDUSTRIES INC. ANY REPRODUCTION IN PART OR AS A WHOLE WITHOUT THE WRITTEN PERMISSION OF CALPIPE INDUSTRIES INC. IS PROHIBITED

UNLESS OTHERWISE SPECIFIED:
DIMENSIONS ARE IN INCHES
TOLERANCES:
FRACTIONAL ± 1/4
ANGULAR: MACH ± 1 BEND ± 1
TWO PLACE DECIMAL THREE ± .010
PLACE DECIMAL ± .005

IBF08XXX
8" STEEL FIXED BOLLARD