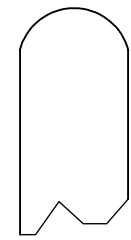


Cap Style

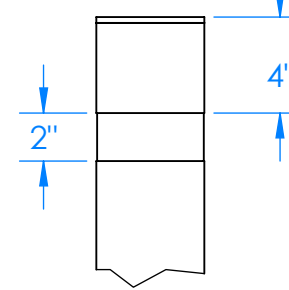
Dome



Knight



Viking



SPECIFICATION:

Bollard Material: 4" Pipe (4-1/2" OD)

- IBF04040 Sch 40 ASTM A-53 Carbon Steel
- IBF04080 Sch 80 ASTM A-53 Carbon Steel

Bollard Cap Style:

- Flat (Standard)
- Viking
- Dome
- Knight

Options:

Chain Eye Qty. _____ Height: _____

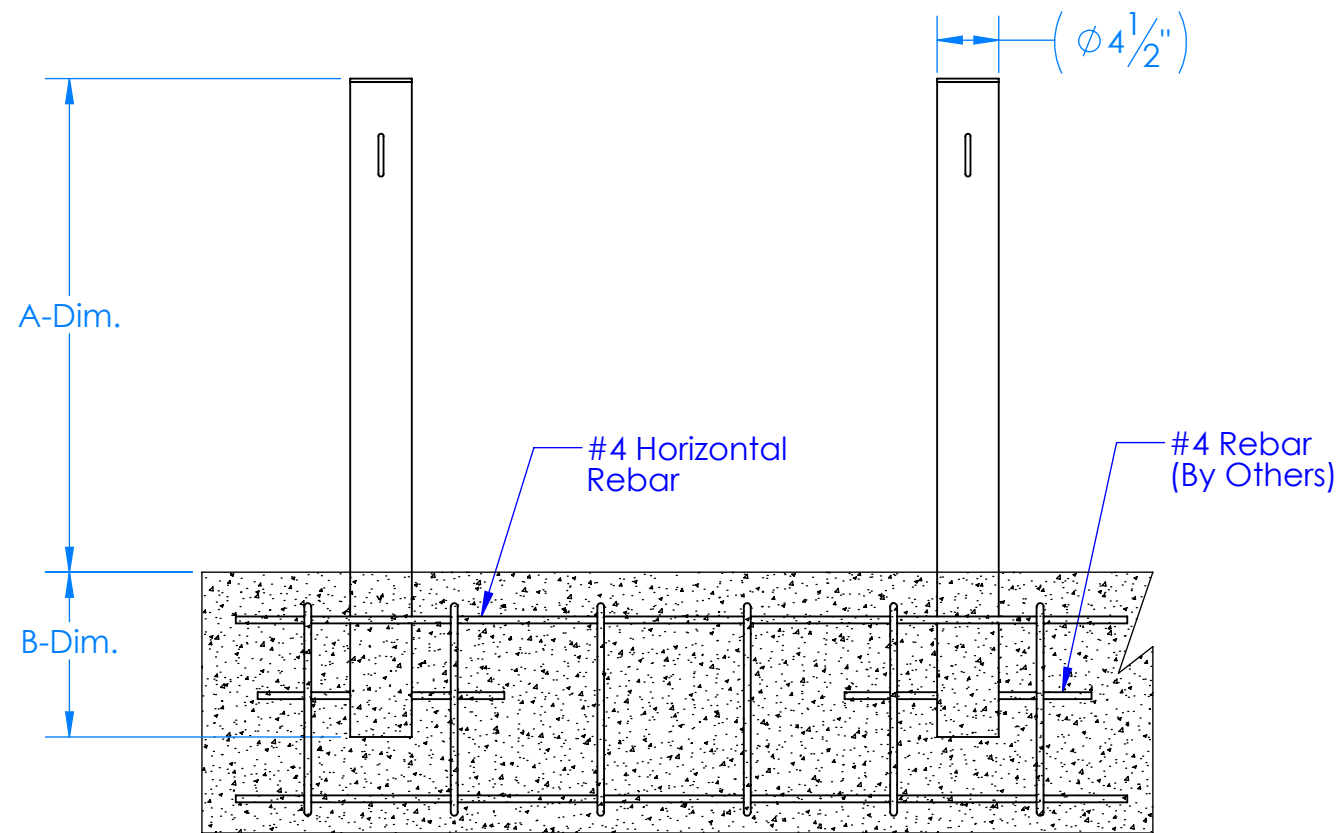
Carbon Steel Finish:

- Powdercoat RAL # : _____
- Other : _____

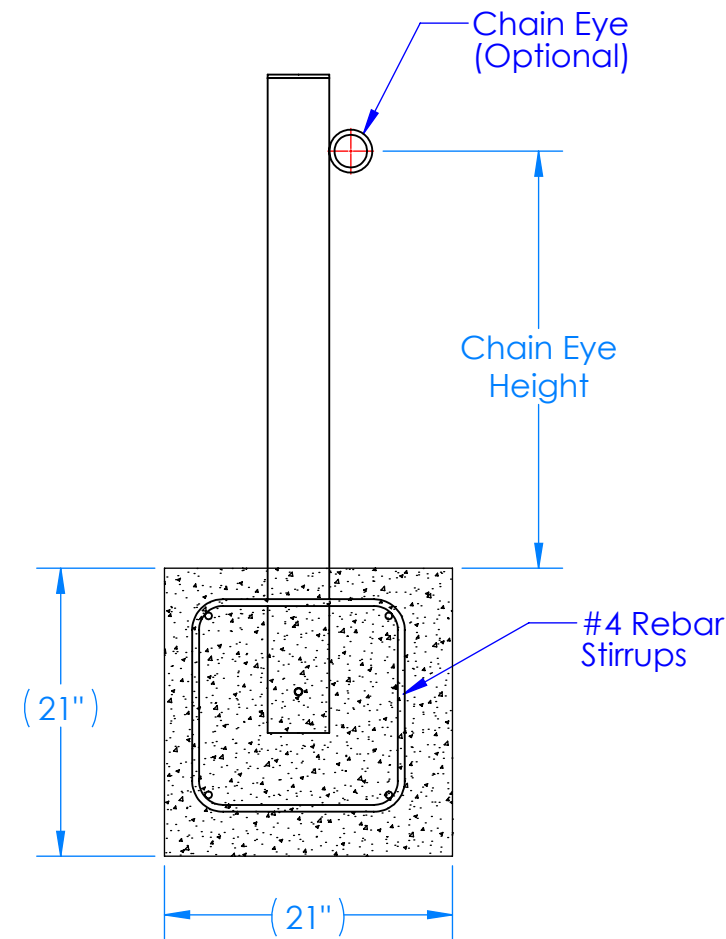
Please Specify the Following Dimensions:

A-Dim. _____ (Std. 36")

B-Dim. _____ (Std. 12" Embedment Depth)



Elevation View



Side Elevation View

Company: _____

Project Name: _____

Signee's Name Written Clearly: _____ Date: _____

Authorized Signature: _____

SIZE B	DRAWN BY: JMG	REV :
	DRAWN DATE: 11/13/15	SHEET : 10F1



**19440 S. DOMINGUEZ HILLS DR.
RANCHO DOMIGUEZ, CA. 90220,USA**

**www.CalPipeBollards.com
562.803.4388 Direct
310.885.1899 Fax**

PROPRIETARY AND CONFIDENTIAL
THE INFORMATION CONTAINED IN THIS
DRAWING IS THE SOLE PROPERTY OF
CALPIPE INDUSTRIES INC. ANY
REPRODUCTION IN PART OR AS A WHOLE
WITHOUT THE WRITTEN PERMISSION OF
CALPIPE INDUSTRIES INC. IS PROHIBITED

UNLESS OTHERWISE SPECIFIED:
DIMENSIONS ARE IN INCHES
TOLERANCES:
FRACTIONAL ± 1/4
ANGULAR: MACH ± 1 BEND ± 1
TWO PLACE DECIMAL THREE ± 0.10
PLACE DECIMAL ± 0.05

**IBF04XXX
4" STEEL FIXED BOLLARD**